

Partsource® Products Limited

恒汇汽车配件有限公司

QUALITY CHINESE TRUCK SPARE PARTS

SPARE PARTS FOR:



PART(A)



2017

# About Us

WELCOME TO PARTSOURCE PRODUCTS CO., LIMITED

恒汇汽配成立于2013年，专注于国产轻、重型卡车的出口售后市场，凭借专业的团队，完备的产品以及快捷高效的服务，我们赢得全球数十个国家的客户信赖，产品远销东南亚、中东、非洲、东欧、南美等地。

我们提供优质的配件，为江淮、福田、东风、解放、跃进、江铃、重汽、陕汽、华菱、红岩、北奔等全系列产品。

Partsource Products Limited founded in 2013, focus on Chinese brand light-truck and heavy-duty spare parts exporting aftersales market. With professional team, complete products and fast delivery. We earn customer's trust all over the world. We have build mutual benefit with customer's cooperation ship from South-east Asia, Middle East, Africa, Eastern Europe and South-America.

We provide quality spare parts for JAC, FOTON, FORLAND, DONG-FENG, FAW, YUEJIN, JMC, SINOTRUCK, SHACMAN, CAMC, HONG-YAN, BEIBEN serious trucks.



# Contents

	Brief Introduction .....	1
	公司简介	
	Content .....	2
	目录	
	JAC1025 Series .....	5
	江淮1025系列	
	JAC1030 Series .....	29
	江淮1030系列	
	DONGFENG Series .....	39
	东风系列	
	FOTON Series .....	53
	福田系列	
	JMC Series .....	64
	江铃系列	
	FAW Series .....	69
	解放系列	
	YUEJIN Series	
	跃进系列	
	Exploped picture: JAC Engine 4DA1 .....	71
	零件分解图: 江淮发动机4DA1	
	Exploped picture: JAC Gearbox .....	77
	零件分解图: 江淮变速箱	
	ZYNP Cylinder Liner Set .....	79
	中原内配	

## We supply below Engine/Gearbox assy and All Engine spare parts:



[朝柴]发动机

CYQD32 CYQD32T CY4100Q CY4100ZLQ CY4102Q  
CY4102BQ CY4102BZQ CY4102BZLQ CY4102-C3B  
CY4105Q CY6102Q CY6102BQ CY6102BZQ  
CY6102BZLQ CY6105BQ CY4D47TI CY4102-C3B



[临柴]发动机

WX4110 WX4110Z/ZA5 WX4110ZL WX4113  
WX4113Z WX4DF2 WX4DF2-13 WX4DF3 WX4DX  
WX4DX22 WX6110A WX6110/125 WX6110Z  
WX6110ZL WX6113(BK) WX6113Z(BKZ) WX6DF1  
WX6DF2 WX6DF3 WX6DF2D WX6DL WX6DL2



[东风二汽]发动机

EQ491 EQ491II(电喷) EQD6102(风神) EQ6102DT EQ6100



[东风康明斯]发动机

6BT 4BT 6CT ISDE180-30 L345/L300 L340 L375  
ISLE ISDE ISI ISB



[云内]发动机

CN490QB CN490ZQL YN495QB YN4100QB YN4100QB-  
2 YN4100QBZ YN4100QBZL YN4100QBZL-2 YN4102QB  
YN4102QBZ YN4102QBZL YN2100QB YN3100QB  
YN2102QB YN4D32ZL YN4D30ZL YN4D42ZL



[玉柴]发动机

YC4108Q YC4108ZQ YC4110Q YC4110ZQ YC4110ZLQ  
YC4E180-30 YC4112ZQ YC4112ZLQ YC4F YC4G210-30  
YC4F100-30 YC6105QC YC6105ZQC YC6105ZLQ  
YC6J230-30 YC6108Q YC2115/YC2115ZQ YC6108ZQ  
YC6108ZLQB YC6112ZQ YC6112ZLQ YC6G240-30  
YC6L YC6L330-30 YC2105 YC2108



[全柴]发动机

QC2105 QC2110 QC2115 QC380 QCN385 QCN390  
QC480 QC480ZLQ QC485 QCN485 QC490  
QCN485ZLQ QC490 QCN490 QC490QB QCN490ZLQ  
QC495Q QC495L QC4102Q



[三菱]发动机 4G63 4G64



[江淮动力]发动机

HFC4DA1 HFC4DA1-1 HFC4DA1-2B



[扬动]发动机

YD380 YD480 YD485 YDN485 4YDAK YSD490  
YD4100Q



[潍柴]发动机

WP10 WD615 WD12 WD615-II(欧2) WD618 WF495 WF4100



[大柴道依茨]发动机

CA498/4D32 CA4D32TC CA4D32-09 CA4DC2 CA4DF2  
CA6110A CA6110BZB CA6110ZW CA6110ZL(A) CA6DFL  
CA6113 CA6113B CA6113BZ CA6DE1 CA6DE1-24  
CA6DE2 CA6DE3-18E3 CA6DF1 CA6DF2 BF6M BF4M



[北汽福田]发动机

BJ491 BJ483 BJ483ZQB(4D22) BJ493 BJ493ZQ  
BJ486ZQ



[常柴]发动机

CC485 CC480 CC4L68 CC4L88 ZN490QA



[JMC]发动机

4JA1/B1 493ZQ/4JB1-T 4ZE1 4BC2 4BD1 4BE1  
4BG1 4HF1 6BD1 6BG1



[扬柴]发动机

YZ485 YZ485ZLQ YZ380 YZ495 YZ4110 YZ4102  
YZ4102QB YZ4102ZQ YZ4102ZLQ YZ4105QF YZ4108  
YZ4105ZLQ YZ4108 YZ4108ZLQ YZ4110 YZ4105QFK



[江动JD系列]发动机

JD295 JD2100 JD2102 JD2105 JD2110 JD2115  
TY2100 TY2102 Ty2100



上柴发动机

D6114A D6114ZQ D6114B D6114ZQB/D6114D9  
D6114ZLQ

## We supply below Engine/Gearbox assy and All Engine spare parts:



[新昌]发动机

XC485G XC485N NB485B XC490 XC495 XC498



[常州常通]发动机

CT2100 CT2105 CT2108 CT2110 CT2115 CT2120



[雷沃动力]发动机

PHASER110TI~135TI PHASER160TI~230TI



[TOYOTA丰田]发动机

3Y 3491Q(原4Y) 491Q-E 491Q-EM 495QF-E 4G24  
4RB1 4RB2 1RZ 2RZ 3RZ



[南汽]发动机 433 NJ4105



[山东临工]变速箱

LG5-15Q LG5-15D/M/C LG5-20/20EQE37Q LG5-  
20E58 LG5-20GH LG5-20GZ/M/Y/G LG5-25/EQ LG5-  
30 LG5-38B2C LG5-38 LG145 LG145H LG8-24 LG8-  
28 LG140 LG140H LG5DYA



[一汽长春]变速箱

CG4-10 CG5-12 ZQCG5-12 ZQCG5-15T3 CATS5-17  
CAS5-20G9B CAS5-20 CAS5-20B CAS5-20E CAS5-  
20Y15 CAS5-20/320 CAS5-20K ZQCAS5-20N  
CAS5-20QZ(Y) ZQCAS5-20 CAS5-20-66/55 CAS5-  
25/25F CAS5-25B CAS5-25C CAS5-25K CAS5-25\*7  
CAS5-25E59 CAS5-25Q7 CAS5-32 CAS5T90F  
CAS5T90G CAS5T108



[法士特]变速箱

16JSS300T 16JS240T 16JS200T 16JS180T 12JS240T  
12JS200T 12JS180T 12JS160T 10JSX 10JSQX  
10JSD 10JS160 9JS240T 9JS220 9JS200T 9JS180T  
9JS180 9JS150 9JS135 9JS119 8JSX180T 8JS95T  
8JS85T 8JS85 8JS75T 8JS160T 8JS130T 8JS125T  
8JS118 8JS115T 8JS110A 8JS105T 8JS100 7JS100  
7DS 6JS160T 6JS125T 6JS105T 6J90T 6J85T  
6J82T 6J80T 6J70T 6J60T 6J55T 6DS 5J80T  
5J75T 5J100T 4J120T



[韶齿]变速箱

EQ140 EQ145(五档箱) EQ154 SG135 SG650(六档箱)



[东风]变速箱

DF5S30 DF5S55 DF5S1050/EQ17LZ20 DF6S55 DF6S65  
DF6S90 DF8S120



[大齿]变速箱

DC5J80T DC5J90T DC6J70T DC6J80T DC6J85TZ  
DC6J90T DC6J90TA DC6J90TB DC7J100T DC7J120T  
DC9J150T DC12J150T/A



[六齿]变速箱

LC5T97 LC5T30 LC5T88 MSC-5S LC5T80 LC6T46  
LC6T160 LC5T90 MSC5SA2Q



[清华]变速箱

QHS5-30HF QHS5-30 QHS5-40F QHS5-40HF  
QHS145HF QHS145F/F1 QHS140F



[精齿]变速箱

MSB-5M/5S JC528T1 JC520T/521T MSG5E



[广齿]变速箱

5RYA(配491) 5RYE(EQ1030) 5DYA (GREAT WALL PICK  
UP) 5YD-5YE 5YM-5YM2



[彦齿]变速箱

YC5-30 YC5-30Q07 YC5-30Q08 YC5-35 YC5-39  
YC5-42



[哈齿]变速箱

CA5-16 HC5-16L22 CA5-38 CA5-48 CA5-75  
CA5-85 CA6-80.85 CA6-85 CA7-110 CA6-75H4G  
CA7S-120



[万里扬]变速箱

WLY5-20 WLY5-26 WLY6-53HF

[兴化]变速箱

NJ130 NJ131 NJ136 NJ17H-26 NJ17H-30



[钱江]变速箱

QJ315 QJ506 QJ505 QJ805 ZF6-90 S5-70



# JAC

## SPARE PARTS





2405-1131311  
四配套  
Engine cylinder liner set



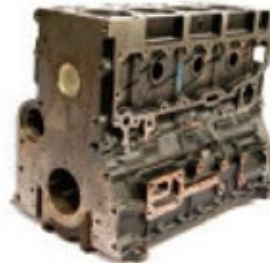
2411-1133411  
卡簧-活塞肖  
clip-piston pin



2405-1104111  
加机油盖  
oil plug



2405-1118111  
全车垫(大修包)  
overhaul gasket set, engine



2405-1121121  
缸体(带缸套\*A2)  
cylinder block



2405-1151113  
飞轮壳  
flywheel house



2405-1141131  
曲轴(4102B.03.01C)  
crankshaft



2405-1153111 飞轮总成(配255压板)  
flywheel assy  
2405-1144111 曲轴皮带轮(1槽)  
belt pulley, crankshaft



2411-1143111 曲轴齿  
crankshaft gear  
2411-1141311 螺母-曲轴  
bolt-crankshaft



2405-1216111  
排气歧管  
exhaust manifold pipe



2405-1521114  
水泵总成(1槽)  
water pump assy



2405-1305112  
输油泵  
fuel pump



2405-1311113  
高压油泵  
injection pump



2405-1311611  
高压油管  
injection pipe



2415-1304111  
回油管  
oil return pipe



2411-1331111  
喷油器总成  
throttle assy



2411-1333113  
喷油嘴  
injector



2405-1334112  
喷油泵柱塞  
column, fuel pump



2405-1524211  
节温器盖  
thermostat cover



2411-1515511  
回水管  
water return pipe



2411-1251111  
偏心轴  
camshaft



2405-2411121  
离合器片(6单簧)  
clutch disc.



2405-2412121  
压板(膜片式\*加强型)  
clutch cover



2411-1164111  
正时齿  
timing gear





2411-1111113  
缸盖  
cylinder head



2411-1101211  
气门室盖垫  
gasket, valve chamber top cover



2411-1122511  
缸体调压阀  
pressure adjusting valve,  
cylinder block



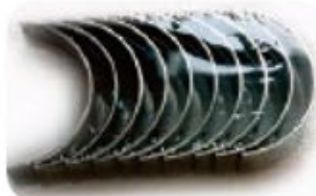
2411-1111321 2411-1111311  
螺丝-缸盖(短) 螺丝-缸盖(长)  
bolt-cylinder head



2411-1111921  
缸盖堵水塞(整套)  
water block plug, cylinder head



2411-1135211  
连杆瓦+0.00  
con rod bearing +0.00



2411-1142111  
曲轴瓦+0.00  
crankshaft bearing +0.00



2411-1142211  
曲轴止推片  
thrust washer; crans



2411-1135711  
衬套-连杆(钢)  
bushing-connection rod

2411-1135111  
连杆  
connecting rod



2411-1233111 2411-1233211  
气门推杆 气门挺杆  
valve push-rod valve tappet



2411-1256211  
惰轮轴  
idle gear shaft



2411-1301021  
柴油滤清器总成  
fuel filter assy



2411-1431116  
机油滤清器  
oil filter



2411-1431312  
机油滤清器座  
oil filter seat



2411-1441111  
机油冷却器  
oil cooler

2411-1441312  
机油冷却器盖(铝)  
oil cooler cover



2411-1453211  
机油过低报警器(细牙)  
oil alarm



2411-1525611  
水温感应塞(粗牙)  
temperature sense plug



2411-1524111  
节温器  
thermostat



2411-1524311  
节温器座  
thermostat seat



2411-1531121  
风扇叶(胶6叶)  
fan



2411-1311211  
高压油泵齿  
injection pump gear



2411-1312131  
提前器  
advance unit



2411-1411511  
螺塞-油底壳放油  
stopper, oil pan

2411-1411111  
油底壳  
oil pan



2411-1421111  
机油泵  
oil pump



2411-1421611  
机油泵齿及套  
oil pump gear and sleeve



2411-1624113  
磁吸开关(QD2515C)  
magnetism switch



2411-1611126  
发电机(1000W\*单槽\*双脚82\*左)  
generator



2405-1615512  
发电机回油管(编织)  
oil return pipe, generator



2405-1616311  
发电机调节臂(弯)  
generator adjusting arm



2411-1621123  
马达  
starter



2411-1621221 2411-1621711  
马达齿(11槽\*细) 马达碳刷(减速)  
motor gear starter carbon



2411-1621912  
马达头(2516P)  
starter head



4010-4214111 4010-4214211  
半轴齿 半轴齿垫片  
gear, differential axle washer



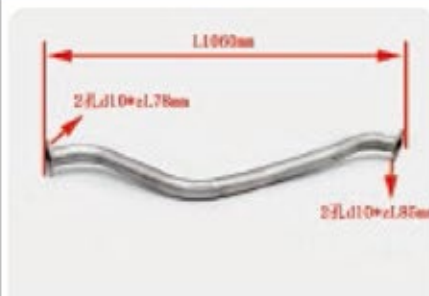
4010-4212221  
差速器十字轴  
differential cross



4010-4214511 4010-4214611  
行星齿 行星齿垫片  
planetary gear washer, planet gear



4811-2321113  
消声器(圆\*法兰-尾管\*00Z8-NMXZ)  
muffler



4801-2325115  
排气管(前\*2/2孔\*20D8-CEO)  
exhaust pipe



4831-2326111  
排气管垫(椭圆\*2孔)  
washer, exhaust pipe

JAC 1025



4010-4222111  
盆角齿  
bevel pinion gear



0901-4010311  
油封-前轮  
oil seal, front wheel



4801-2113121  
机脚胶(后左\*方\*10Z8)  
engine seat



4811-1511111  
水箱(铜\*3排\*10B6)  
radiator



4801-1515113  
上水管(配YND485\*YSD490\*11D4)  
upper water pipe



4801-1515210  
下水管(配YND485\*YSD490\*12D4)  
lower water pipe



4801-1611521  
调节器(24V\*1000W)  
adjuster



4801-1635123  
电熄火装置(5扁插\*24V\*10D4JC)  
e-flameout device



4526-6162431  
继电器-灯光(4插\*24V)  
relay, light



4801-2215811  
油量传感器  
fuel sensor



4801-2226121  
熄火线(40D2)  
stall cable



4801-2224211  
油门线(圆-肖\*50D2)  
throttle cable



4801-2311115  
空气滤清器(10D318)  
air filter



4801-2313228  
空气管(胶\*空滤-发动机\*11D318)  
air pipe



4811-2312111  
空气滤清器气导(胶\*20B10JC)  
air filter guide



4831-2312821  
气导橡胶块(3只/付\*20E0-1)  
rubber piece, air guide



4831-2313201  
空气管(皱纹\*气导-空滤\*14E0)  
air pipe



4831-2311211  
空气滤清器芯  
element, air filter



4831-2311311  
空气滤清器盖(10E0-2)  
air filter cover



4801-2422111  
离合器油管(胶\*帽-帽\*70D2)  
clutch oil pipe



4801-3612111  
分离拨叉(锻钢\*40D8-CEO)  
release fork



4801-3711111  
换挡线(圆柄-球头\*40D4)  
gear shifting line



4801-3721111  
选档线(圆孔-圆孔\*30D4)  
gear shift line



4801-3616112  
分离轴承座(51D8-CEO)  
release bearing seat

JAC 1025



4801-3731112  
操纵杆总成(带手球\*00D2)  
control stick assy



4801-4111121      4801-4111133  
传动轴总成(前\*4孔\*D8)      (后\*4孔\*D8)  
transmission shaft assy -front      -rear



4831-3739111  
衬套-操纵杆总成(胶\*3只/付)  
bush-steering rod



4801-4112211  
传动轴伸缩叉(21N57)  
fork, transmission shaft



4801-4113111  
传动轴突元(方4孔)  
transmission shaft flange



4801-4113211  
传动轴突元叉(方4孔\*12N57)  
transmission shaft flange fork



4801-4113511  
传动轴十字轴  
transmission shaft cross



4801-4121232  
前桥(方\*D8)  
front axle

4801-4122111  
转向节(左\*02D8)  
steering knuckle

4801-4122112  
转向节(右\*03D8)  
steering knuckle



4801-4313111  
钢圈(6孔\*20mm\*10D2)  
wheel rim



4801-4122312  
转向节臂(左\*弯\*12D8)

4801-4122321  
转向节臂(右\*直\*11D8)



4801-4123111  
转向节修理包



4801-4153121  
半轴(8孔\*71D4)



4801-4124611  
前轮防尘盖(09D8)  
dust cover

4801-4124211  
前轮壳(6孔d20\*D8)  
front wheel house



4801-4154212  
后轮壳(6孔d20\*配8孔半轴)  
rear wheel houser



4801-4152314  
后桥壳(D8)  
rear axle house



4801-4313711  
轮胎螺丝(前左\*51D8)  
wheel bolt

4801-4313721  
轮胎螺丝(后左)  
wheel bolt



4801-4321021  
钢板总成(前\*11片\*5<9>卡\*10D0)  
spring assy



4801-4323112  
钢板支架(前之后)

4801-4323161  
钢板支架(副\*后\*D4-SGO)  
spring bracket



4801-4324141  
骑马螺丝(后\*10JCXZ\*康铃II)  
U-BOLT



4801-4324118  
骑马螺丝(前\*21D0XZ)  
U-BOLT



4801-4323131  
钢板支架(后之后\*左\*381D4)

4801-4323121  
钢板支架(后之前\*371D4)  
spring bracket



4801-4324511  
钢板底板(前\*13D0)



4801-4324431  
钢板垫板(副\*15D4-SGO)



4801-4324531  
钢板底板(后\*22D0)



4801-4611211  
刹车古(6孔\*D8)  
brake hub



4801-4533111  
真空泵(9" \*带泵\*10D2)  
vacuum pump



4801-4545311  
刹车油管(胶\*丝-丝\*前\*40D4)  
brake fluid pipe



4801-4543113  
刹车分泵(10D8)  
brake slave pump



4801-4612113  
刹车盘总成(前左\*油刹\*10D8)  
brake disc assy



4801-4613113  
刹车蹄(油刹\*钢\*D8)  
brake pad



4801-6156111  
米表线(丝-丝\*20DF4)  
odometer line



4801-6131121  
组合开关(19扁插)  
combination switch



4801-6131511  
点火开关(9扁插\*D304)  
ignition switch



4801-7112112  
驾驶室翻转机构总成(6样/付\*01D4FJC)  
cab overturn device assy



4801-7122113  
驾驶室锁紧机构总成(7样/付\*01D0)  
cab locking device assy



4801-7114111  
扭力杆(驾驶室\*43DF4JC)  
twisting rod





4801-4411112  
横拉杆总成 tie rod assy



4801-4412121  
直拉杆总成 draglink assy

4801-4412511  
直接头  
drag link end



4801-6237111  
暖风机总成(10D4-SGO)  
air warmer assy



4801-6211511  
雨刮支架(NH3748017)  
wiper bracket



4801-4331111  
减震器(前\*10D2)  
shock absorber



4801-4338112  
螺丝-减震器(58D2)  
screw - shock absorber



4801-4331214  
减震器支架(前左\*52D8)  
shock absorber bracket



4831-4531311  
刹车踏板总成(20EO)  
brake pedal assy



4831-4531811  
踏板胶(刹车\*91EO)  
pedal rubber

4831-4628920  
弹簧-刹车踏板回位  
return spring,brake



4831-4532113  
刹车油壶(胶\*00EO)  
brake fluid can



4811-2225111  
油门踏板总成(10B6)  
throttle pedel assy



4831-2228911  
弹簧-油门踏板回位(40EO-1)  
spring, throttle pedal return



4831-7157213 4831-7157221  
挡泥板(前左\*胶) 挡泥板(发动机\*左\*胶)  
mud board



4811-4321051  
钢板总成(后\*带副钢板\*16片\*3<3>卡)  
spring assy



4811-4323331  
钢板吊耳(后\*30B6)  
spring hanger -front



4831-4324761  
缓冲胶-副钢板(单螺丝\*EO)  
buffer rubber, vice spring



4811-4324331  
钢板盖板(后\*15B10JCXZ)  
spring cover



4811-4324711  
缓冲胶-前钢板(70B6)  
buffering rubber  
-front spring



4831-4328631  
衬套-钢板(后\*复合)  
bush-spring



4811-4328611  
衬套-钢板(前\*40J1)  
bush-spring



4830-4323311  
钢板吊耳(前左\*50J1)  
spring hanger -front



4830-4323512  
钢板销(前\*不带螺母\*78J1)  
spring pin



4831-1514111  
付水箱(11E0)  
vice water tank



4831-2113111  
机脚胶(前左\*60EO)  
feet rubber, gearbox



4831-3713411  
换挡球头(2只/包)  
gear shift ball



4801-4431111  
方向盘  
steering wheel



4801-4421111  
方向机  
transversor



4801-4421511  
方向机蜗杆  
traversing worm



4801-4435711  
方向机杆护套  
traversing rod cover



4831-4432114  
方向机杆总成(EO)  
transversor rod assy



4831-4432411  
方向机伸缩叉总成  
transversor flex fork assy



4831-4511211  
手刹拉杆(EO)  
park brake pull rod



4831-3733211  
操纵杆防尘套  
dust sleeve, control column



4831-3733611  
操纵杆护套  
dust sleeve, steering rod



4831-6237555  
暖风机马达(24V)  
air warmer motor



4831-6136211  
暖水开关(胶\*10EO-2)  
water warming switch



4831-6221211  
冷凝器(带电子扇/干燥瓶\*10EO-19)  
condensator



4831-6235111  
鼓风机总成(10EO-14)  
air blower assy



4831-6232111  
空调蒸发器总成(10EOFC)  
evaporator assy, air condition



4831-6237711  
电阻-空调蒸发器(10EO-8)  
resistant, air condition  
evaporator

JAC 1025



4801-7235511  
倒车镜杆(左)  
rod, rearview mirror

4801-7235211  
倒车镜  
rearview mirror



4801-7221112  
保险杠(胶\*白色)  
bumper



4801-7221413  
保险杠支架(左\*21D8)  
bracket, bumper



4801-7217111  
中网(胶\*电镀)  
grill



4801-7217113  
中网(胶\*白色)  
grill



4810-7211212  
前围上部(胶\*黑色\*JAC)  
front wall upper



4801-7213111  
前围下部(铁\*本色\*21D2)  
front wall lower



4801-7157213  
挡泥板(前左\*铁\*不带挡泥胶\*51D4)  
mud board



4801-7157121  
挡泥胶(后\*12D4)  
mud rubber



4801-7263521  
挡阳板(右\*黄色\*20D0)  
sunshine board



4801-7327840  
密封胶条-挡风玻璃(内\*13D2)  
seal rubber bar, windshield



4801-7327841  
密封胶条-挡风玻璃(外\*12D2)  
seal rubber bar, windshield



4831-6126211  
前大灯饰条(左\*胶\*白色)  
decorative bar,  
head lamp trim ;front

JAC 1025



4801-7251213  
仪表台(黄色\*01D8)  
Instrument



4831-6241512  
通风窗-仪表台(黄色)  
air window



4801-7155111  
工具箱(仪表台\*米黄\*D114)  
tool case



4831-7155411  
工具箱扣手  
handle, tool case



4801-7255122  
仪表板总成(24V\*10D4JC)  
Instrument assy



4831-7252111  
仪表台控制面板总成(桃木E0FC)



4831-7255212  
仪表板罩(桃木纹\*15EO)  
Instrument panel



4831-7256111  
烟灰盒(带底座\*09EO)



4831-6111113  
前大灯总成(左\*水晶\*玻璃面\*新)  
head lamp -left



4831-6111313  
前灯总成(左\*水晶\*新款)  
head lamp -right



4831-6112213  
眉灯(左\*新\*水晶\*黄)  
turning lamp



4831-6116111  
后灯总成(左\*黄红白红)  
rear lamp assy -left



4831-6116115  
后灯总成(左\*新\*2色\*水晶)  
rear lamp assy -left



4831-6116611  
牌照灯(10EO)  
license lamp



4831-7416111  
车门立柱总成(前左\*单排\*铁\*底漆\*10EO)  
door pillar assy



4831-7355011  
天窗总成  
sun roof assy



4831-7414111  
叶子板(左\*胶\*黑色\*52EO)  
fender



4831-6132811  
开关-刹车灯(方\*2扁插)  
switch-brake lamp



4831-6131611  
点火开关后盖  
rear cover, ignition switch



4831-6136111  
开关-空调(3扁插\*24V\*10EO-15)



4831-6132812  
开关-刹车灯(2圆插)  
switch-brake lamp



4831-6162412  
继电器-雨刮(6插\*24V)  
relay, wiper



4831-6132611  
开关-应急灯(8扁插)  
switch-urgency



4831-6135221  
开关-预热(8扁插\*24V)  
switch-growing heater



4831-6133011  
开关-室内灯  
(4扁插\*短\*20EO)



4831-6143211  
开关-暖风机(4扁插)  
switch-heater assy



4831-6132411  
开关-防雾灯(前\*4扁插\*24V)  
switch-fog lamp



4831-6132711  
开关-车门灯(1圆插)  
switch-door lamp



4831-6174311  
断路器(2插\*DL1\*10EO)  
turnoff device



4831-6162413  
继电器-预热(4插\*24V)  
relay, preheating



4831-6162411  
继电器-马达(4插\*24V\*10EO)  
relay, starter



4831-6174121  
闪光灯(3插\*24V)  
flicker



4831-6186111  
蜂鸣器(真空报警\*24V)  
buzzer



4831-6162414  
继电器-灯光(4插\*24V\*30EO)  
relay, light



4831-7262111  
安全带(5样/付\*10EO)  
safty belt



4831-7263111  
内视镜总成(带灯\*黄色\*10EO)  
insideview mirror assy



4831-6157311  
天线(30EO)  
antenna



4831-6211222  
雨刮电机(24V\*50W\*花键\*无板)  
wiper motor



4831-6213112  
洗涤器(带电机\*24V\*10Q26)  
washer



4831-6213211  
洗涤器小电机(24V)  
washer motor



8065-3123111  
倒车灯开关  
back drive lamp switch



8065-3120111  
里程表主动齿(5角)  
driving gear,  
odometer

8065-3120612  
隔套-里程表主动齿  
sleeve, odometer  
driving gear



8065-3122111  
里程表软接头  
flexible connect,  
odometer



4831-6213611  
喷水嘴  
water throttle



4831-7425211  
上车踏板(左\*10EO)  
step-up pedal



4831-7426311  
上车踏板内衬(左\*胶\*黑色)  
step-up pedal inside



4831-7214113  
前围外侧板(左\*铁\*白色\*31EO)  
outer side panel,front wall



4831-7235221  
倒车镜(圆)  
rearview mirror



4831-7237411  
字牌  
letter mark



4831-7266113  
车室内扶手(左\*灰色\*10EO)



4831-7266131  
车室内扶手(车顶\*黄色\*50EO)

inner handrail



4831-7313311  
开门拉手(内左\*胶\*黄色)



4831-7313321  
开门拉手(外左\*胶\*黑色)  
door open handle



4831-7266211  
上车拉手(黄色\*40EO)  
step-up handle



4831-7311116  
车门总成(前右\*白色\*带桃木拉手)  
door assy



4831-7311217  
车门(前右\*白色)  
door



4831-7314511  
车门限位器(10EO)  
door limit device



4831-7312111  
车门装饰板(前内左\*黄色\*带桃木拉手)  
door decorate board



4831-7322331  
车门玻璃托架胶(后)  
door glass rubber support



4831-7323111  
升降器(左\*单臂)  
lift



4831-7323611  
升降器抓手(灰色)  
lift handle





4831-7321112  
玻璃-车门(右)  
glass-door



4831-7321321  
车门玻璃导槽(左\*30EO)  
door glass slot



4831-7321511  
车门玻璃压条(内左)  
door glass press bar



4831-7321521  
车门玻璃压条(外左\*15EO)  
door glass press bar



4831-7321611  
车门玻璃饰条(左\*10EO)  
door glass decorative bar



4831-7322311  
车门玻璃托架胶(前)  
door glass rubber support



4831-7325111  
车门锁(11件/付)  
door lock



4831-7325214  
车门锁芯(1开4)  
door lock element



4831-7325411  
车门锁链  
door hinge



4831-7327808  
密封胶条-车门框  
door seal strip



4831-7327811  
密封胶条-车门玻璃(绒)  
seal rubber bar -  
door glass



4831-7327800  
密封胶条-车门(前左)  
door seal strip



4831-2431111  
离合总泵  
master pump, clutch



4831-2432211  
离合总泵修理包(3样/付)  
repair bag, clutch master pump



4831-2421112  
离合踏板总成(20EO-FY)  
clutch pedal assy



4831-2448921  
弹簧-离合踏板回位(20EO-1)  
return spring, clutch pedal



4814-2422112  
离合器油管(胶\*帽-帽\*前\*40D800)  
clutch oil pipe



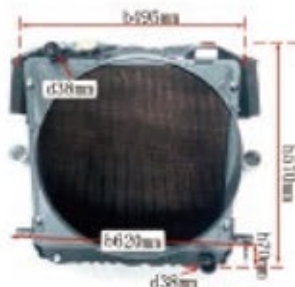
4811-2211112  
油箱(10B10JC)  
fuel tank



4831-2212112  
油箱盖(带锁\*锌)  
fuel tank cover



4831-6237611  
水箱(暖风机\*10EO)  
radiator



4814-1511111  
水箱(铜\*2排\*带胶水箱罩/  
中冷器\*10D800)  
radiator



4814-1551111  
中冷器(D802)  
intercooler



4814-1743711  
方向机液压油壶(铁\*带支架\*10D830)  
hydraulic oil kettle, tranversor



4814-1743112  
方向机液压油管(胶\*帽-圈\*进\*10D800)  
hydraulic oil pipe, tranversor



4814-2313213  
空气管(胶\*空滤-发动机\*11D800)  
air pipe



4814-2321111  
消声器(圆\*4孔-2孔\*Ø800)  
muffler



4814-2325111  
排气管(前\*带网\*2/4孔\*10Ø800)  
exhaust pipe



4814-2331111  
排气制动器总成(20Ø802)  
exhaust brake device assy



4921-4114111  
传动轴中间支承总成(2孔)  
middle bearing assy,  
transmission shaft



4925-4411321  
横接头(不可调)  
tie rod end



8065-3111112  
变速箱  
gearbox



8065-3131111  
变速箱顶盖总成(铜)  
top cover assy, gearbox



8065-3235811  
轴套  
shaft sleeve



8065-3235311  
限位块  
stop valve rubber



8065-3231111  
换挡拨叉-1/R  
gear shift fork - 1/R

8065-3231121  
换挡拨叉-2/3  
gear shift fork



8065-3231131  
换挡拨叉-4/5  
gear shift fork



8065-3232111  
换挡拨叉轴  
gear shift shaft



8065-3234111  
换挡拨块  
gear shift fork piece



8065-3235411  
互锁板  
inter-locking board



8065-3336511  
卡簧-变速箱  
circlip, gearbox



8065-3311111  
一轴  
primary shaft

8065-3312212  
一轴压盖  
primary shaft pressure cap



8065-3331111  
同步器-1/  
synchronize-1/R



8065-3331121  
同步器-2/3  
synchronize-2/3



8065-3312112  
一轴盖(8孔)  
primary shaft cover



8065-3331131  
同步器-4/5  
synchronize-4/5



8065-3334111  
同步环-1/R  
synchronize ring-1/R

8065-3334121  
同步环-2/3  
synchronize ring-2/3



8065-3335110  
同步器滑块  
synchronize slipper



8065-3341111  
二轴一档齿  
bottom gear, output shaft



8065-3342111  
二轴二档齿  
second gear, output shaft



8065-3343111  
二轴三档齿  
third gear, output shaft



8065-3345111  
二轴五槽齿  
fifth gear, output shaft

8065-3361111  
止推垫-二轴倒档齿  
thrust shoe, output shaft  
revise gear



8065-3361131  
止推垫-三档齿  
thrust shoe, third gear

8065-3363111  
衬套-滚针轴承  
bushing-needle bearing



8065-3411111  
中间轴总成  
intermediate shaft assy



8065-3411611  
联齿-2/3  
linkage gear -2/3



8065-3412411  
中四档齿  
mid-4th speed gear



8065-3412511  
中五档齿  
mid - 5 th speed gear



8065-3431111  
倒档惰轮  
revise idle gear



8065-3431211  
倒档惰轮轴  
reverse idle gear shaft



8065-4521111  
手刹古总成  
park brake hub assy



8066-3326111  
螺母-二轴  
nut, outputshaft



8065-3431311  
倒档惰轮盖板  
cover, reverse idle gear



4814-1743711  
方向机液压油壶(铁\*带支架\*10D830)  
hydraulic oil kettle, transversor



4814-1743112  
方向机液压油管(胶\*帽-圈\*进\*10D800)  
hydraulic oil pipe, transversor



4814-2313213  
空气管(胶\*空滤-发动机\*11D800)  
air pipe



4814-2321111  
消声器(圆\*4孔-2孔\*D800)  
muffler



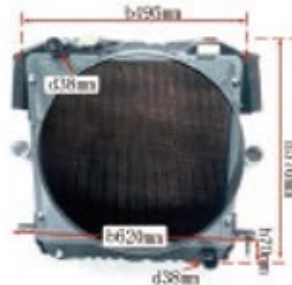
4814-2325111  
排气管(前\*带网\*2/4孔\*10D800)  
exhaust pipe



4814-2331111  
排气制动器总成(20B802)  
exhaust brake device assy



离合器油管(胶\*帽-帽\*前\*40D800)  
clutch oil pipe



水箱(铜\*2排\*带胶水箱罩/  
中冷器\*10D800)  
radiator



4814-1551111  
中冷器(D802)  
intercooler



0906-6028111  
轴承-惰齿轮  
bearing-idle gear wheel



1270-1101111  
气门室顶盖  
valve chamber top cover



1270-1101211  
气门室盖垫  
gasket, valve chamber top cover



1270-1141111  
曲轴  
crankshaft



1270-1153311  
飞轮齿环  
gear ring, flywheel



1270-1164711  
正时齿喷油管  
timing gear jet tube



1270-1231111  
进气门  
inlet valve



1270-1231211  
排气门  
outlet valve



1270-1231811  
气门油封  
oil seal, valve

1270-1232111  
弹簧-气门  
spring, valve



1270-1233111  
气门推杆  
valve push-rod

1270-1233211  
气门挺杆  
valve tappet



1270-1232211  
气门弹簧座(上)  
valve spring seat

1270-1232221  
气门弹簧座(下)  
valve spring seat



1270-1241111  
气门摇臂轴总成  
valve rocker arm shaft assy



1270-1366011  
怠速提升装置  
idle advance device



1270-1256121  
惰齿轮  
idle gear



1270-1256221  
惰轮轴  
idle gear shaft



1270-1423111  
机油泵油管(出)  
oil pipe, oil pump



1270-1431011  
机油滤清器(带机油冷却器)  
oil filter



1270-1521111  
水泵总成  
water pump assy



1270-1524111  
节温器  
thermostat



1270-1524211  
节温器盖(铝\*2孔)  
thermostat cover



1270-1533311  
风扇皮带轮(1槽)  
fan pulley



1271-1118121  
全车垫(大修包)  
overhaul gasket set, engine



1270-1611111  
发电机(60A\*单槽\*双脚80\*左)  
generator



1270-1621111  
马达  
starter



1270-1634111  
电热塞(12V)  
electricity heat plug



1270-1741111  
方向机液压泵(带2槽皮带轮)  
hydraulic pump, transverse



1271-1025111  
发动机水管(进\*铁)  
water input pipe





1271-1131311  
四配套  
Engine cylinder liner set



1271-1143111  
曲轴齿  
crankshaft gear



1271-1144111  
曲轴皮带轮(3槽)  
belt pulley, crankshaft



1271-1153111  
飞轮总成  
flywheel assy



1271-1161111  
齿轮室(铝)  
gear housing



1271-1164111  
正时齿  
timing gear



1271-1212111  
进气歧管  
air intake manifold pipe



1271-1212611  
进气歧管垫  
air intake manifold pipe gasket



1271-1216111  
排气歧管  
exhaust manifold pipe



1271-1216211  
排气歧管垫  
exhaust manifold pipe gasket



1271-1251111  
偏心轴  
camshaft



1271-1252111  
偏心瓦  
camshaft bearing



1271-1311111  
高压油泵  
injection pump



1271-1311611  
高压油管  
injection pipe



1271-1331111  
喷油器总成  
throttle assy



1271-1411111  
油底壳  
oil pan



1271-1421111  
机油泵(带滤网)  
oil pump



1271-1451111  
机油尺(带导管)  
oil gauge



1271-1515511  
回水管  
water return pipe



1271-1532111  
风扇离合器(带风扇叶\*8叶)  
fan clutch



1271-1721112  
涡轮增压器(有旁通阀)  
turbo charger



1271-1722211  
涡轮增压器排气管  
turbo charger outlet pipe



1271-1723111  
涡轮增压器油管(进)  
turbo charger oil pipe



1271-1723121  
涡轮增压器油管(回)  
turbo charger oil pipe



4800-6116112  
后灯总成(右\*红白红黄)  
rear lamp assy -left



4801-7251221  
仪表台  
Instrument



4801-7251312  
仪表台骨架  
Instrument frame



4814-7217111  
中网(胶\*电镀)  
grill



4814-7221111  
保险杠  
bumper



4814-7211211  
前围上部  
front wall upper



4814-6111112  
前大灯总成(右\*水晶\*塑料面)  
head lamp assy -left



4814-7235511 倒车镜杆(左)  
rod, rearview mirror  
4814-7235211 倒车镜  
rearview mirror



4815-6114311  
边灯总成-车门  
side lamp assy



4830-7312111  
车门装饰板(前右\*镀铬II\*灰色)  
door decorative board



4836-7255133  
仪表板总成(24V\*电子\*油刹\*3表)  
Instrument assy



4836-7414111  
叶子板(左\*胶\*黑色)  
4836-7414112  
叶子板(右\*胶\*黑色)  
fender



4811-4323132  
钢板支架(后之后\*左)  
spring bracket



4811-4323133  
钢板支架(后之后\*右)  
spring bracket



4811-4323161  
钢板支架(副)  
spring bracket



4811-4521111  
手刹古总成  
park brake hub assy



4814-2216011  
油水分离器总成  
oil water separator assy



4814-2311116  
空气滤清器  
air filter



4814-2311211  
空气滤清器芯(带内芯)  
air filter element



4815-1514111  
付水箱  
vice water tank



4815-2435111  
离合分泵  
clutch branch pump



4814-6211211  
雨刮电机(12V\*50W\*花键\*无板)  
wiper motor



4814-6211511  
雨刮支架  
wiper bracket



4814-6213111  
洗涤器(带电机)  
washer



4925-4545311  
刹车油管(胶\*丝-丝\*前)  
brake oil pipe



4925-4545321  
刹车油管(胶\*丝-丝\*后)  
brake oil pipe



4815-7425111  
上车踏板总成(左\*连体\*黑色)  
step-up pedal assy



4836-7325111  
车门锁(左\*6样/付)  
door lock



4836-7325112  
车门锁(右\*6样/付)  
door lock



4836-7325211  
车门锁芯(1开2)  
door lock element



8441-3111111  
变速箱  
gearbox



8441-3112111  
变速箱壳  
gear box case



8441-3113131  
变速箱突元(圆4孔)  
gear box flange



8441-3120112  
里程表主动齿  
driving gear, odometer



8441-3121121  
里程表被动齿  
driven gear, odometer



8441-3122112  
里程表软接头(偏心)  
flexible connect,  
odometer



8441-3225411  
肖-选档臂(一大一小/付)  
pin, gear shifting arm



8441-3131122  
变速箱顶盖总成(铝\*软操)  
gearbox cover assy



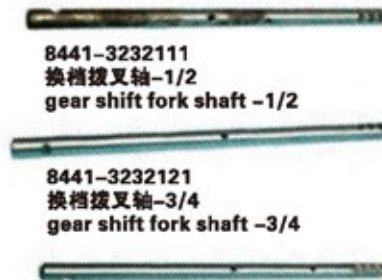
8441-3151111  
变速箱后盖  
gearbox cover, rear



8441-3231111 换档拨叉-1/2 gear shifter -1/2  
8441-3231121 换档拨叉-3/4 gear shifter -3/4



8441-3231131  
换档拨叉-5/R  
gear shift fork -5/R



8441-3232111  
换档拨叉轴-1/2  
gear shift fork shaft -1/2

8441-3232121  
换档拨叉轴-3/4  
gear shift fork shaft -3/4

8441-3232131  
换档拨叉轴-5/R  
gear shift fork shaft -5/R



8441-3234111 换档拨块-1/2 gear shift fork piece-1/2  
8441-3234121 换档拨块-3/4 gear shift fork piece-3/4



8441-3234131  
换档拨块-5/R  
gear shift fork piece-5/R



8441-3330113  
同步器总成-1/2  
synchronizer -1/2



8441-3330123  
同步器总成-3/4  
synchronizer -3/4



8441-3330134  
同步器总成-5/R  
synchronizer -5/R



8441-3335111  
同步器滑块1/2/3/4(3样/付)  
synchronize slipper



8441-3311111  
一轴  
primary shaft



8441-3321121  
二轴(走滚针)  
output shaft



8441-3340111  
二轴倒档齿(带槽)  
revise gear, output shaft



8441-3341111  
二轴一档齿  
bottom gear, output shaft



8441-3342112  
二轴二档齿  
second gear, output shaft



8441-3343111  
二轴三档齿  
third gear, output shaft



8441-3345122  
二轴五档齿  
fifth gear, output shaft



8441-3411121  
中间轴总成  
intermediate shaft assy



8441-3412311  
中三档齿  
mid-3rd speed gear



8441-3412421  
中四档齿  
mid-4th speed gear



8441-3412522  
中五档齿  
mid-5th speed gear



8441-3361111  
止推垫-二档齿  
thrust washer



8441-3361121  
止推垫-五档齿  
thrust washer



8441-3431111 8441-3431211  
倒档惰轮 倒档惰轮轴  
revise idle gear reverse idle gear shaft



**DFAC**

# DFAC

## SPARE PARTS







4511-4512571  
手刹线(后\*CY4100)  
park cable



4511-4521112  
手刹古总成(蜗\*带线)  
hand brake hub assy



4511-4531311  
刹车踏板总成  
brake pedal assy



4511-4531511  
刹车踏板  
brake pedal



4511-4532112  
刹车油壶  
brake fluid can



4511-4533111  
真空泵(带泵)  
vacuum pump



4511-4541111  
刹车总泵(铁\*双管)  
brake master pump



4511-4543111  
刹车分泵(前左\*有)  
brake slave pump



4511-4543112  
刹车分泵(前右\*有)  
brake slave pump



4511-4543115  
刹车分泵(前左\*无)  
brake slave pump



4511-4543116  
刹车分泵(前右\*无)  
brake slave pump



4511-4543151  
刹车分泵后左\*有)  
brake slave pump



4511-4545312  
刹车油管(前\*胶)  
brake fluid pipe



4511-4545321  
刹车油管(后\*胶)  
brake fluid pipe



4511-4613122  
刹车蹄(粘)  
brake pad



4511-2431111  
离合总泵  
clutch master pump



4511-2435111  
离合分泵  
clutch branch pump



4511-4615511  
刹车边钉总成  
brake side nail assy

全长340mm



4511-2422126  
离合器油管(胶\*丝-丝\*前\*总-分泵)  
clutch oil pipe

全长340mm



4511-2422127  
离合器油管(胶\*丝-帽\*总泵)  
clutch oil pipe



4511-4628920  
弹簧-刹车踏板回位  
return spring



4511-2425111  
离合线  
clutch line

全长1320mm



4511-2422121  
离合器油管  
clutch oil pipe

全长260mm



4511-2422122  
离合器油管(胶\*丝-帽\*后\*分泵)  
clutch oil pipe



4511-2224210  
油门线(夹-夹)  
throttle cable



4511-2215811  
油量传感器  
fuel sensor



4511-2421111  
离合踏板总成(CY4100)  
clutch pedal assy



4511-2226111  
熄火线  
stall cable



4511-1431111  
机油滤清器  
oil filter



4511-2225111  
油门踏板总成  
throttle pedal assy



4511-2311131  
空气滤清器(CY4100)  
air filter



4511-2321131  
消声器(圆\*插-插\*CY4100)  
muffler



4511-2212111  
油箱盖(带锁)  
fuel tank cover



4511-2113113  
机脚胶(前左\*配YN4100)  
engine seat



4511-2113121  
机脚胶(后\*配485/490)  
engine seat



4511-1515121  
上水管(配CY4100)  
upper water pipe

4511-1515222  
下水管(配CY4100)  
lower water pipe



4511-3711121  
换挡线(YN4100)  
gear shift line



4511-3721121  
选档线(YN4100)  
selector cable



4511-3123111  
倒车灯开关(不带线)  
back drive lamp switch



4511-3616113  
分离轴承座(带轴承)  
release bearing seat



4511-3733211  
操纵杆防尘套  
dust sleeve, control stick



4511-4114111  
传动轴中间支承总成  
middle bearing assy,  
transmission shaft



4511-4122112  
转向节(右\*向东桥)  
steering knuckle



4511-4122311  
转向节臂(左\*弯)  
steering knuckle arm



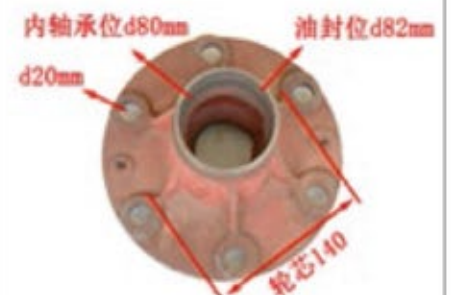
4511-4114121  
传动轴中间支承总成  
middle bearing assy,  
transmission shaft



4511-4122321  
转向节臂(右\*直)  
steering knuckle arm



4511-4123111  
转向节修理包  
repair bag, steering knuckle



4511-4124211  
前轮壳(6孔)  
front wheel housing



4511-4124611  
前轮防尘盖  
dust cover, front wheel



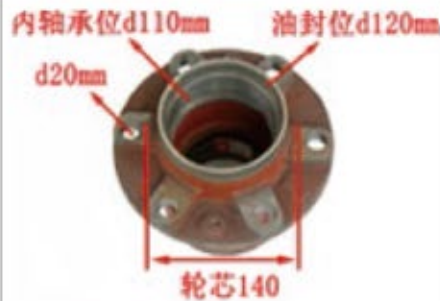
4511-4128211  
螺母-转向节  
bolt-steering knuckle



4511-4152511  
后八角螺母  
rear nut



4511-4152512  
后八角螺母  
rear nut



4511-4154211  
后轮壳(6孔)  
rear wheel house



4511-4158311  
锁片-后轮(花垫)  
lock plate, rear wheel



4511-4212211  
差速器十字轴  
differential cross



4511-4214111  
半轴齿  
gear, differential axle



4511-4214511  
行星齿  
planetary gear



4511-3113111  
变速箱突元(圆4孔)  
gearbox flange



4511-4321011  
钢板总成(前\*5片\*4卡)  
spring assy



4511-4321031  
钢板总成(后\*8片\*4卡)  
spring assy



4511-1511122  
水箱



4511-4214611  
行星齿垫片  
planetary gear washer



4511-4223211  
盆角齿突元(方4孔)  
flange, bevel pinion gear



4511-4323311  
钢板吊耳(后)  
spring hanger -front



4511-4323511  
钢板肖(带螺母\*大头)  
spring pin



4511-4323512  
钢板肖(吊耳\*带螺母\*小头)  
spring pin



4511-4324611  
钢板底板支架  
bracket, spring bottom plate



4511-4324711  
缓冲胶-前钢板  
buffering rubber -  
front spring



4511-4328611  
衬套-钢板(胶)  
bush-spring



4511-4331111  
减震器(前)  
shock absorber



4511-4411132  
横拉杆总成  
horizontal pull rod assy



4511-4412121  
直拉杆总成  
draglink assy



4511-4411311  
横接头(外牙)  
tie rod end



4511-4412511  
直接头  
drag link end



4511-4421611  
方向机修理包(液压)  
repair bag, tran versor



4511-4421117  
方向机(带摇臂\*5孔)  
tranversor



4511-4421132  
方向机(液压\*无摇臂\*3孔)  
tranversor



4511-4431111  
方向盘  
steering wheel



4511-4432611  
方向机万向节及伸缩叉总成  
U-joint and flex fork assy, tranversor



4511-4432122  
方向机杆总成(带管柱及支架)  
tranversor rod assy



4511-4435811  
方向机杆防尘套(下)  
traversing rod dust sleeve



4511-4433511  
方向机十字轴  
U-joint, tranversor



4511-4435711  
方向机杆护罩  
traversing rod cover



4511-4511211  
手刹拉杆  
park brake pull rod



4511-4512531  
手刹线(前\*CY4100)  
park cable



2405-2412112  
压板(膜片式)  
clutch cover



4511-6131512  
点火开关  
ignition switch



4511-6132411  
开关-防雾灯(前\*4扁插)  
switch-fog lamp



4511-6132421  
开关-防雾灯(后\*4扁插)  
switch-fog lamp



4511-6132611  
开关-应急灯(8扁插\*24V)  
switch-emergency



4511-6135711  
开关-翘板(4座2联)  
switch-wane



4511-6135714  
开关-翘板(6座5联)  
switch-wane



4511-6137211  
电源总开关(24V\*100A\*电磁式)  
electricty master switch



4511-6156121  
米表线(CY4100\*插-丝)  
odometer line



4511-6162411  
继电器-马达(4插\*24V)  
relay, motor



4511-6168215  
保险盒(20扁插)  
safty case



4511-6181111  
传感器-里程表  
sensor-odometer



4511-6181121  
传感器-灯光检测(8扁插)  
sensor-odometer





4511-6213111  
 洗涤器(带电机)  
 washer



4511-7112516  
 驾驶室翻转支架(右\*东风之星)  
 cab overturn bracket



4511-7112611  
 驾驶室翻转支架胶  
 cab overturn bracket rubber



4511-7118611  
 衬套-驾驶室翻转支架  
 bush-cab overturn bracket



4511-7121211  
 驾驶室撑杆  
 cab rod



4511-7155111  
 工具箱  
 tool case



4511-7157111  
 挡泥胶(前之前)  
 mud rubber



4511-7157128  
 挡泥胶(前之后)  
 mud rubber



4511-7157222  
 挡泥板(前右\*胶)  
 mud board



4511-7235511  
 倒车镜杆(左)  
 rod, rearview mirror



4511-7235512  
 倒车镜杆(右)  
 rod, rearview mirror



4531-1514111  
 付水箱(铁)  
 vice water tank



4513-4552111  
制动室(前)  
brake chamber



4513-4552121  
制动室(后)  
brake chamber



4520-4552612  
制动室皮膜(后)  
brake chamber film



4513-4613212  
刹车皮(6孔)  
brake lining



4520-4616211  
刹车偏心轴(前左\*滚轮式)  
brake eccentric shaft



4520-4616511  
刹车调整臂(前左)  
brake adjuster arm



4531-1743711  
方向机液压油泵(铁\*带支架)  
hydraulic oil kettle, transversor



4520-1301111  
柴油滤清器  
fuel filter



4520-1431111  
机油滤清器  
oil filter



4531-1301111  
柴油滤清器  
fuel filter



4531-7414129  
叶子板(左\*胶\*排半\*白色)



4511-7414111  
叶子板(左\*胶\*单排\*黑色)

fender



4511-7237511  
商标牌  
trakemark logo



4511-7251221  
仪表台  
Instrument



4520-2431111  
离合总泵  
clutch master pump



4520-4541111  
刹车总泵(6孔)  
brake master pump



4520-2435112  
离合分泵  
clutch branch pump



4520-3612111  
分离拨叉  
release fork



4520-4616111  
刹车支架(前左)  
brake bracket



4520-4612711  
刹车底板(前左\*4孔)  
brake under body



4511-7263511  
挡阳板(左)  
sunshine board



4511-7325612  
车门锁机构(右\*带内外拉手)  
door lock device



4512-7312111  
车门装饰板(内左\*黄色)  
door decorate board



4511-6131111  
组合开关  
combination switch



4511-6131212  
组合开关壳  
combination switch shell



4512-7323611  
升降器抓手(左)  
riser handle



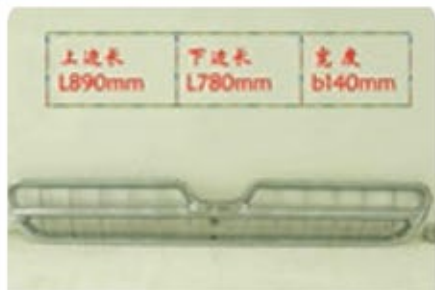
4531-7217114  
中网(铁\*半电镀\*绿边\*带小中网)  
grill



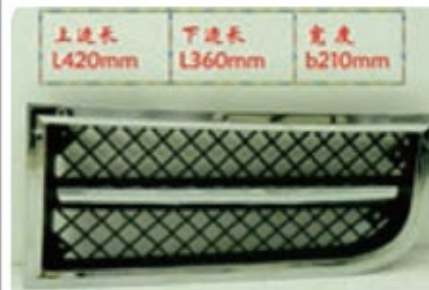
4512-7217111  
中网(胶\*电镀)  
grill



4513-7217121  
中网(胶\*白色)  
grill



4531-7217111  
中网(小\*胶\*电镀)  
grill



4520-7217111  
中网(左\*胶\*电镀)



4512-7211211  
前围上部(胶\*黑色)  
front wall upper



4512-7221113  
保险杠(胶\*黑色\*带骨架\*雾灯\*配东风之星)  
bumper



4512-7213111  
前围下部(胶\*白色)  
front wall lower



4520-7214113  
前围外侧板(左\*铁)  
outer side plater;front wall



4520-7221111  
保险杠(胶\*黑色\*带骨架)  
bumper



4531-7221111  
保险杠(胶\*黑色\*带支架)  
bumper



4512-7221112  
保险杠(胶\*灰色\*带骨架\*配东风之星)  
bumper



4520-6111111  
前大灯总成(左\*水晶)  
head lamp



4511-6111112  
前大灯总成(右\*水晶\*塑料面)  
head lamp



4511-6111111  
前大灯总成(左\*水晶\*塑料面)  
head lamp



4511-6111311  
前灯总成(右\*水晶)  
front lamp assy



4511-6111312  
前灯总成(左\*水晶\*)  
front lamp assy



4513-6116111  
后灯总成(左\*水晶\*2色\*新)  
rear lamp assy



4511-6112111  
防雾灯总成(水晶)  
fog lamp assy



4520-6112111  
防雾灯总成(圆\*水晶)  
fog lamp assy



4520-6114311  
边灯总成-叶子板(左)  
side lamp assy



4520-7235211  
倒车镜(左\*方)  
rearview mirror



4510-7255112  
仪表盘总成(12V)  
Instrument assy



4511-7255121  
仪表盘总成(24V)  
Instrument assy



# FOTON

## SPARE PARTS



# FOTON LIGHT TRUCK SERIES



4102-1511122  
水箱(单排\*带铁水箱罩)  
radiator



4100-1515113  
上水管(胶)  
upper water pipe



4100-1515213  
下水管(胶)  
lower water pipe



4100-4321017  
钢板总成(前\*7片\*3<5>卡)  
spring assy



4045-4323512  
钢板肖(前\*不带螺母)  
spring pin



4045-4328612  
衬套-钢板(聚氨酯\*前/后)  
bush-spring



4045-4323321  
钢板吊耳(后)  
spring hanger



4100-4324711  
缓冲胶-副钢板  
buffer rubber, vice spring



4101-4324731  
缓冲胶-后钢板  
buffering rubber-rear spring



4045-4545311  
刹车油管(前分泵\*胶)  
brake fluid pipe



4045-4545321  
刹车油管(总泵\*胶)  
brake fluid pipe



4046-4421122  
方向机(液压\*带摇臂\*4孔)  
transversor



4100-1514112  
付水箱  
vice water tank

# FOTON LIGHT TRUCK SERIES



4100-4331111  
减震器(前)  
shock absorber



4100-4512513  
手刹线  
park cable



4101-2311114  
空气滤清器(带消音包)  
air filter



4101-2313211  
空气管(胶\*气导-空滤\*皱纹)  
air pipe



4101-2313215  
空气管(胶\*空滤-发动机)  
air pipe



4045-6162111  
继电器-预热(6插\*12V)  
relay, preheating

4101-2313213  
空气管(胶\*气导-空滤\*大小头)  
air pipe



4102-2212111  
油箱盖  
fuel tank cap



4102-2215811  
油量传感器(管式)  
oil sensor



4102-2224315  
手油门线  
manual fuel pedal line



4102-2225411  
油门机构  
throttle equipment



2孔d8中距52mm

4102-2435114  
离合分泵  
clutch branch pump



4102-2431121  
离合总泵(带助力)  
clutch master pump



# FOTON LIGHT TRUCK SERIES



**4101-4421111**  
方向机(带摇臂\*4孔\*欧马可)  
transversor



**4102-1741121**  
方向机液压泵(带皮带带轮)  
hydraulic pump, transversor



**4102-1743121**  
方向机液压油管(两头胶\*中间铁\*低压)  
hydraulic oil pipe, transversor



**4102-1743712**  
方向机液压油壶(铁\*配493ZQ)  
hydraulic oil kettle, transversor



**4102-3733111**  
操纵杆防尘套总成  
dust sleeve assy,  
control stick



**4106-4435711**  
方向机杆护罩(下)  
transversor rod cover



**4102-4432111**  
方向机杆总成  
transversor rod assy



**4102-4432211**  
方向机杆(带万向节)  
transversor rod



**4102-4511211**  
手刹拉杆  
park brake pull rod



**4106-4431121**  
方向盘  
steering wheel



**4102-4411311**  
横接头  
tie rod end



**4102-4412112**  
直拉杆总成  
draglink assy

# FOTON LIGHT TRUCK SERIES



4102-4521111  
手刹古总成(粘\*带线\*配JC526T3EA)  
park brake hub assy



4102-4531112  
刹车离合踏板总成  
brake clutch pedal assy



4102-4532111  
刹车油壶  
brake fluid can



4102-4533111  
真空泵(带泵\*配超越II)  
vacuum pump



4102-4533512  
储气筒(真空\*扁\*带报警器)  
air flask

2孔d8-zL50mm



4925-4122111  
转向节(左)  
steering knuckle



4102-4611216  
刹车古(前\*6孔)  
brake hub



4102-4543114  
刹车分泵(前右下\*无)  
brake slave pump



4102-4543117  
刹车分泵(后右上\*有)  
brake slave pump



4102-3616112  
分离轴承座(带轴承)  
release bearing seat



4102-3721111  
选档线(配JC526T3EA\*孔-孔)  
selector cable



4102-2113111  
机脚胶(后\*方\*配JC526T3EA)  
engine seat



4103-4124212  
前轮壳(6孔d18)  
front wheel housing



4102-6232111  
空调蒸发器总成  
evaporator assy,  
air condition



4102-6237111  
暖风机总成  
air warmer assy



4102-1632611  
发动机转速表传感器  
speed sensor, engine



4106-6211211  
雨刮电机(12V\*70W\*花键\*带板)  
wiper motor



4106-6211511  
雨刮支架  
wiper bracket



4106-6212611  
雨刮片连臂(左\*钩式)  
wiper connect arm



4106-6213111  
洗涤器  
washer



4106-6213221  
洗涤器小电机  
washer motor



4102-6132811  
开关-刹车灯(2扁插\*配JC526T3EA)  
switch-brake



4102-6136112  
开关-空调(A/C\*5扁插\*欧马可)  
switch-air condition



4102-6136211  
暖水开关(胶)  
water warming switch

FOTON LIGHT TRUCK SERIES



4102-6114113  
室内灯总成(前\*欧马可)  
indoor lamp assy



4102-1525612  
水温感应塞(配欧马可\*上螺丝)  
temprature sense plug



4106-6131512  
点火开关(不带锁芯\*9线\*12V)  
ignition switch



4105-6138511  
电动窗开关(司机\*三键\*10扁插\*配豪华型)  
electric window switch



4106-613852  
电动窗开关(右\*单键\*5扁插\*不带线)  
electric window switch



4106-6131111  
组合开关(22扁插)  
combination switch



4106-6131211  
组合开关壳  
combination switch shell



4106-7157212  
挡泥板(前之前\*右\*胶)  
mud board



4106-7157222  
挡泥板(前之后\*右\*胶\*排半\*带支架)  
mud board



4106-7425112  
上车踏板总成(前左\*带装饰板\*白色)  
step-up pedal assy



1000-3612111  
分离拨叉  
release fork



4102-2211122  
油箱(双排\*配493ZQ/493Q1\*配轴距2600)  
fuel tank



4106-7415312  
轮眉(前右\*胶\*黑色)  
wheel eyebrow

# FOTON LIGHT TRUCK SERIES



4106-7225121  
包角(右\*铁\*灰底漆)  
corner wrap



4106-7235111  
倒车镜总成(方\*左\*4孔\*单镜)  
rearview mirror assy



4106-7235112  
倒车镜总成(方\*右\*4孔\*双镜)  
rearview mirror assy



4106-7235711  
倒车镜杆盖板(左\*胶\*白)  
cover, rearview mirror bracket



4106-7235712  
倒车镜杆盖板(右\*胶\*白)  
cover, rearview mirror bracket



4106-7237411  
字牌  
letter mark



4106-7237512  
商标牌  
trakemark logo



4106-7251211  
仪表台  
dash board



4106-7255111  
仪表板总成(12V\*电子\*油刹\*4表)  
Instrument assy



4106-7252111  
仪表台控制面板总成(配双排)  
Instrument control panel assy



4106-7263511  
挡阳板(左\*灰色)  
sunshine board



4106-7266113  
车室内扶手(车顶\*灰色)  
inner handrail



4106-7266211  
上车拉手(立柱\*灰色)  
step-up handle



4106-7313211  
关门拉盒(内左\*灰色)  
door close pull case

# FOTON LIGHT TRUCK SERIES



4106-7311211  
车门(前左\*带底漆)  
door

4106-7311212  
车门(前右\*带底漆)  
door



4106-7312111  
车门装饰板(前内左\*电动\*灰色)  
door decorative board



4106-7313321  
door handle

开门拉手(前外左\*胶\*黑色)



开门拉手座(前内左)

4106-7313511  
door handle seat



4106-7313311  
开门拉手(前内左\*灰色\*带杆)  
door handle



4106-7323118  
升降器(前左\*带电机\*弯臂)  
lift



4106-7325411  
车门锁铰(前左)  
door butt



4106-7322212  
车门玻璃托架(前右\*铁)  
door glass bracket



4106-7325211  
车门锁芯(1开2)  
door lock element



4106-7325421  
车门锁铰(后)  
door hinge



4106-7325611  
车门锁机构(前左)  
door lock device



4046-7214111  
前围外侧板(左\*铁\*本色)  
outer side plater;front wall



4106-7214111  
前围外侧板(铁\*左\*本色)  
outer side panel,front wall

# FOTON LIGHT TRUCK SERIES



4030-7221121  
保险杠(前\*胶\*白色\*爱尔法)  
bumper



4106-7221112  
保险杠(胶\*白色\*带支架)  
bumper



4100-7221111  
保险杠(胶\*白色\*带支架)  
bumper



4046-7217111  
中网(胶\*白色)  
grill



4045-7217119  
中网(胶\*半电镀\*白边\*小卡之星)  
grill



4109-7211211  
前围上部(胶\*黑色)  
front cover upper



4109-7217111  
中网(黑色)  
grill



4106-7217111  
中网(胶\*半电镀\*白边\*带网)  
grill



4100-7217111  
中网(胶\*白色)  
grill



4046-7211214  
前围上部(胶\*黑色\*小卡之星)  
front wall upper



4046-7225111  
包角(左\*胶\*白色\*弯)  
corner wrap



4046-7225121  
包角(左\*胶\*白色\*直)  
corner wrap



4106-7263111  
内视镜总成  
insideview mirror assy



4046-6112211  
展灯(左)  
turning lamp



4046-6111121  
前大灯总成(左\*水晶\*宽体\*带前灯)  
head lamp



4030-6111141  
前大灯总成(左\*水晶\*爱尔法)  
head lamp

# FOTON LIGHT TRUCK SERIES



4100-6111112  
前大灯总成(右\*水晶\*塑料面)  
head lamp



4102-6111123  
前大灯总成(左\*水晶\*配欧马可\*塑料面)  
head lamp



4106-6111112  
前大灯总成(左\*水晶\*塑料面)  
head lamp



4046-6112121  
防雾灯总成(左\*水晶\*塑料面)  
fog lamp assy



4030-6112111  
防雾灯总成(前左\*爱尔法\*水晶\*塑料面)  
fog lamp assy



4102-6112111  
防雾灯总成(左\*水晶\*塑料面)  
fog lamp assy



4106-6112121  
防雾灯总成右\*水晶\*塑料面)  
fog lamp assy



4030-6116133  
后灯总成(左\*爱尔法装饰灯)  
rear lamp assy



4106-6116111  
后灯总成(左)  
rear lamp assy



4100-6111314  
前灯总成(右\*水晶\*塑料面)  
front lamp assy



4030-6116111  
后灯总成(左\*2色)  
rear lamp assy



4030-6116131  
后灯总成(左\*爱尔法)  
rear lamp assy



4030-6116114  
后灯总成(右\*方灯)  
rear lamp assy





JMC

# JMC

## SPARE PARTS



# JMC-CARRYING



5000-7221117  
保险杠  
bumper

5007-7221111  
保险杠  
Bumper



5000-7217122  
中网  
grill

5007-7217111  
中网  
middle grill



5007-7214112  
前围外侧板  
out side board,  
front cover



5000-6111113  
前大灯总成  
head lamp assy



5007-6111112  
前大灯总成  
head lamp



5007-6111321  
前灯总成  
head lamp assy



5000-6111315  
前灯总成  
front lamp assy



5000-6116111  
后灯总成  
rear lamp assy

5007-6116111  
后灯总成  
rear lamp assy



5007-6131111  
组合开关  
combination switch



5007-6131211  
组合开关壳  
combination switch shell



5007-7211211  
前围上部  
front wall upper



5007-6131511  
点火开关  
ignition switch



5007-6138511  
电动窗开关  
electricity window switch

5007-6132612  
开关-应急灯  
switch-emergency



5007-6151211  
里程表  
odometer



5007-4431111  
方向盘  
steering wheel



5007-4432611  
方向机万向节及伸缩叉总成  
U-joint and flex fork assy, transversor



5007-4512511  
手刹线  
park cable



5007-4532111  
刹车油壶  
brake fluid can



5007-4541111  
刹车总泵  
brake master pump



5007-4543114  
刹车分泵  
brake slave pump



5007-4611232  
刹车古  
brake hub



5007-4613121  
刹车蹄  
brake pad



5007-4531311  
刹车踏板总成  
brake pedal assy



5007-7323115  
升降器  
lift



5007-7425214  
上车踏板  
step-up pedal

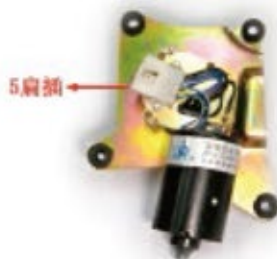


5007-6181111  
传感器-里程表  
sensor -odometer

JMC-CARRYING



5007-2224211  
油门线  
throttle cable



5007-6211211  
雨刮电机  
wiper motor



5007-6211511  
雨刮支架  
wiper bracket



5007-4421111  
方向机  
transversor



5007-1743711  
方向机液压油壶  
hydraulic oil kettle,  
transversor



5007-2321121  
消声器  
muffler



5007-2325111  
排气管  
exhaust pipe



5007-2421111  
离合踏板总成  
clutch pedal assy

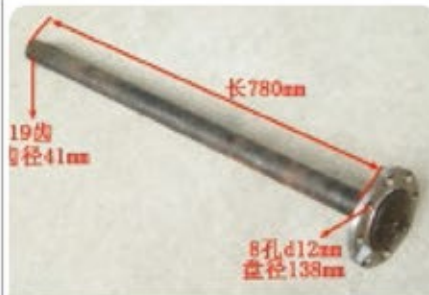


5000-3731113  
control stick assy

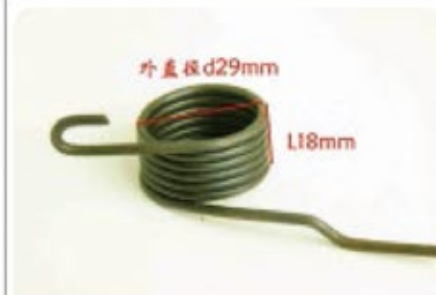
5000-3732212  
操纵杆手球  
hand ball, control stick



5007-4152311  
后桥壳  
rear axle house



5007-4153111  
半轴  
differential axle



5000-2228911  
弹簧-油门踏板回位  
return spring



5000-4212221  
差速器十字轴  
differential cross



5000-4113511  
传动轴十字轴  
transmission shaft cross



5000-3736221  
操纵杆中继  
control stick relay



5000-4122321  
转向节臂  
steering knuckle arm



5000-2432211  
离合总泵修理包  
clutch master pump repair bag

全长310mm



5000-2422111  
离合器油管  
clutch oil pipe



5000-2431111  
离合总泵  
clutch master pump



5000-2435111  
离合分泵  
clutch branch pump



5000-3616111  
分离轴承座  
release bearing seat



5000-4124615  
前轮防尘盖  
dust cover, front wheel;front



5000-4214121  
操纵杆总成半轴齿  
gear, differential axle



5000-4512516  
手刹线  
park cable



# FAW

## SPARE PARTS





# YUEJIN

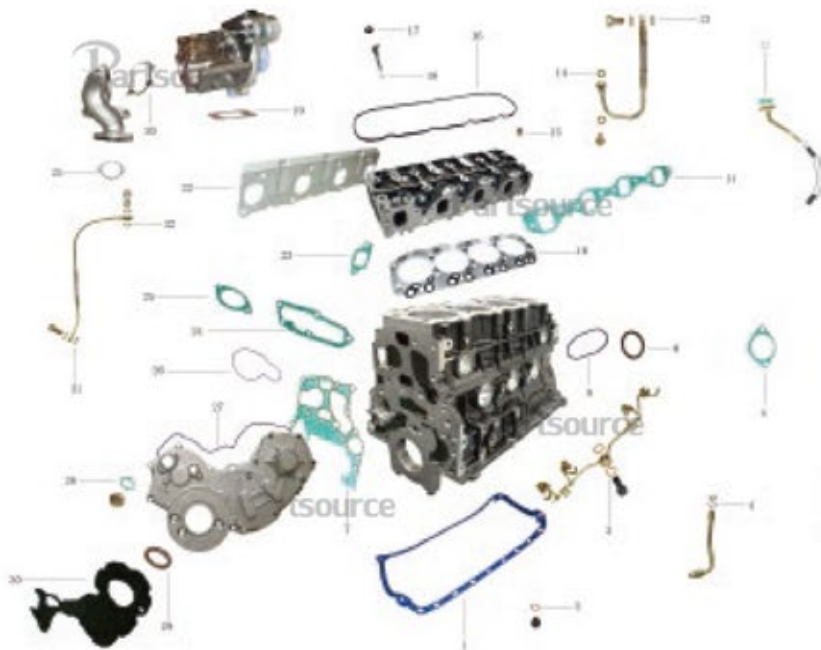
## SPARE PARTS



# JAC Engine 4DA1



## 发动机大修包 engine repair set



- |       |              |                 |
|-------|--------------|-----------------|
| 1     | 油底壳垫片        | oil pan panel   |
| 2     | 铜垫圈          | copper washer   |
| 3     | 喷油器固定铜垫圈     | copper washer   |
| 4     | 机油泵出油管O型圈    | O type ring     |
| 5     | 机油尺密封圈       | seal ring       |
| 6     | 进气总管垫片       | washer          |
| 7     | 正时齿轮室垫片      | washer          |
| 8     | 机油滤清器密封圈     | seal ring       |
| 9     | 曲轴后油封        | oil seal        |
| 10    | 气缸盖垫片组件      | washer          |
| 11    | 进气歧管垫片       | washer          |
| 12    | 增压器回油管垫片     | washer          |
| 13-14 | 真空泵进油管密封铜片II | copper washer   |
| 15    | 气门油封         | oil seal, valve |
| 16    | 气缸盖罩密封圈      | seal ring       |
| 17    | 喷油器压块垫片      | washer          |
| 18    | 喷油器密封圈       | seal ring       |
| 19    | 增压器连接密封衬垫    | washer          |
| 20    | 增压器出气管连接密封衬垫 | washer          |
| 21    | 出气出口垫片       | washer          |
| 22    | 排气管垫片        | washer          |
| 23    | 进水管垫片        | washer          |
| 24    | 节温器壳体垫片      | washer          |
| 25    | 出水口垫片        | washer          |
| 26    | 水泵密封圈        | seal ring       |
| 27    | 凸轮轴盖密封圈      | seal ring       |
| 28    | 观察孔盖板垫片      | washer          |
| 29    | 曲轴前油封        | oil seal        |
| 30    | 凸轮轴盖罩软垫      | washer          |
| 31-32 | 铜垫圈I         | copper washer   |

## 发动机悬置 engine mounting



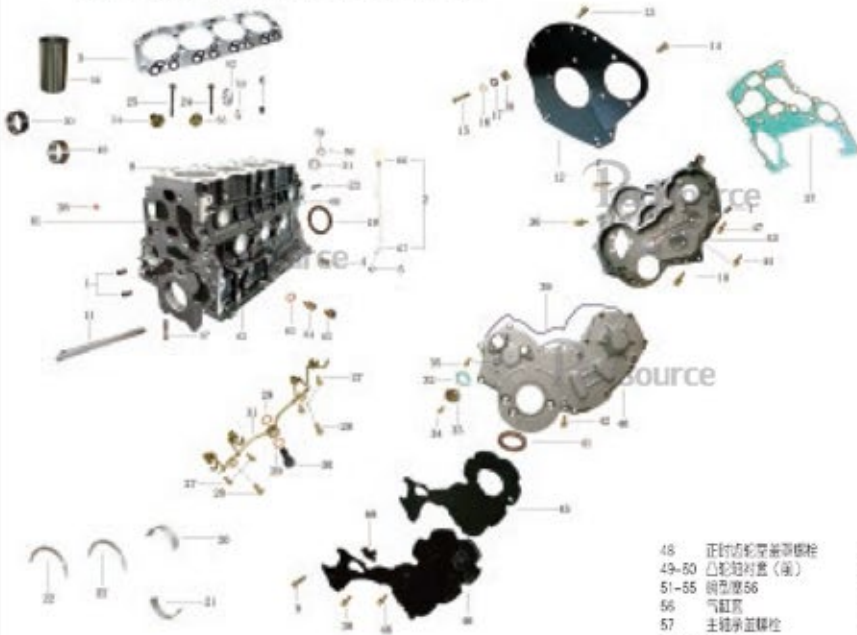
- |    |               |                  |
|----|---------------|------------------|
| 1  | 发动机支架固定螺栓组件   | bolt             |
| 2  | 发动机左支架        | engine bracket L |
| 3  | 左支架螺栓         | bolt             |
| 4  | 弹簧垫圈          | spring washer    |
| 5  | 左加强板          | clamp L          |
| 6  | 螺栓            | bolt             |
| 7  | 弹簧垫圈          | spring washer    |
| 8  | 螺栓            | bolt             |
| 9  | 右加强板          | clamp R          |
| 10 | 发动机支架固定螺栓组件II | hex bolt         |
| 11 | 右支架缓冲块        | engine seat R    |
| 12 | 六角螺母          | hexagon bolt     |
| 13 | 平垫圈           | washer           |
| 14 | 弹簧垫圈          | spring washer    |
| 15 | 发动机右支架总成      | engine bracket R |
| 16 | 左支架缓冲块        | engine seat L    |



# JAC Engine 4DA1



## 机体总成 cylinder block



- 48 正时齿轮室盖螺栓 hex bolt
- 49-50 凸轮轴衬套 (盖) camshaft bush
- 51-55 铜垫圈56 plug
- 56 气缸套 cylinder liner
- 57 主轴承盖螺栓 bolt
- 58-62 铜垫圈12 plug
- 63 油泵传动轴衬套铜套 cooper washer
- 64 油泵传动轴接头 joint
- 65 机油压力传感器 sensor
- 66 机油尺总成 oil gauge
- 68 凸轮轴位置传感器 sensor

- 1 圆柱销 dowel pin
- 2 机油尺总成 oil gauge
- 3 气缸盖垫片组件 cylinder head washer
- 4 放水螺塞 plug
- 5 机油尺密封圈 seal ring
- 6 缸体缸盖定位套 locating washer
- 7 正时齿轮室双头螺栓 bolt
- 8 机体衬套加工部件 cylinder block
- 9 进排气门内六角固定螺栓 hex bolt
- 10 螺栓衬套平垫组合件 bolt
- 11 导水管总成 water pipe
- 12 飞轮齿板 flywheel plate
- 13 离合壳先注油螺栓 bolt
- 14-15 飞轮齿板固定螺栓 hex bolt
- 16 平垫圈 washer
- 17 弹簧垫圈 spring washer
- 18 离合壳壳固定螺母 nut
- 19 曲轴油封油封 oil seal
- 20-21 上主轴承 main bearing
- 22 推力上轴片 thrust washer/trans
- 23 圆柱销II dowel pin
- 24 缸盖螺栓II bolt
- 25-26 1.4铜垫圈塞 plug
- 27-28 螺栓衬套组合件 bolt
- 29 铜衬套固定铜套 cooper washer
- 30 进油单向阀进油单向阀总成 single direction valve
- 31 进油单向阀进油管总成 oil injection pipe
- 32 进油单向阀盖片 washer
- 33 进油单向阀盖 cover
- 34-36 螺栓衬套平垫组合件 bolt
- 37 正时齿轮室垫片 washer
- 38 螺栓衬套平垫组合件 bolt
- 39 进油单向阀密封圈 seal ring
- 40 正时齿轮室盖 gear house cover
- 41 曲轴油封油封 oil seal
- 42 螺栓衬套平垫组合件 bolt
- 43 正时齿轮室 gear house
- 44 螺栓衬套平垫组合件 bolt
- 45 进油单向阀进油管油封 washer
- 46 进油单向阀盖片 gear house cover
- 47 螺栓衬套平垫组合件 bolt

## 气缸盖总成cylinder head



- 1 进油单向阀总成 oil filter cap
- 2 气缸盖罩组合件 cylinder head cover
- 3 气缸盖衬套加工部件 cylinder head bracket
- 4 进油单向阀进油管油封 oil injection pipe
- 5 螺栓衬套平垫组合件 bolt
- 6 气门衬套上座 ring
- 7 气门衬套下座 ring
- 8 排气门 outlet valve
- 9 气门弹簧 valve spring
- 10 气门油封 oil seal, valve
- 11 气门弹簧下座 valve spring seat
- 12 进气门 inlet valve
- 13 排气门双头螺栓II bolt
- 14 排气门垫片 washer
- 15 摇臂机轴总成 arm
- 16 螺栓衬套平垫组合件 bolt
- 17 进油单向阀进油管油封油封 oil injection pipe
- 18 进油单向阀进油管油封油封 cable
- 19 进油单向阀进油管油封油封油封 air intake pipe
- 20 进油单向阀进油管油封油封油封 air intake pipe
- 21 进油单向阀进油管油封油封油封 oil injection pipe
- 22 进油单向阀进油管油封油封油封 oil injection pipe
- 23 进油单向阀进油管油封油封油封 oil injection pipe
- 24 缸盖衬套固定螺栓组合件 hex bolt
- 25 进油单向阀进油管油封油封油封 oil injection pipe
- 26 进油单向阀进油管油封油封油封 oil injection pipe
- 27 螺栓衬套平垫组合件 bolt
- 28 缸盖衬套密封圈 seal ring
- 29 进油单向阀进油管油封油封油封 oil injection pipe
- 30 螺栓衬套平垫组合件 bolt
- 31 进油单向阀进油管油封油封油封 oil injection pipe
- 32 气门衬套螺钉 screw
- 33 气门衬套螺母 nut
- 34-36 进油单向阀进油管油封油封油封 oil injection pipe
- 37-38 进油单向阀进油管油封油封油封 oil injection pipe
- 39 进油单向阀进油管油封油封油封 oil injection pipe
- 40 进油单向阀进油管油封油封油封 oil injection pipe
- 41 进油单向阀进油管油封油封油封 oil injection pipe
- 42 进油单向阀进油管油封油封油封 oil injection pipe



# JAC Engine 4DA1

## 曲轴飞轮总成 crankshaft and flywheel



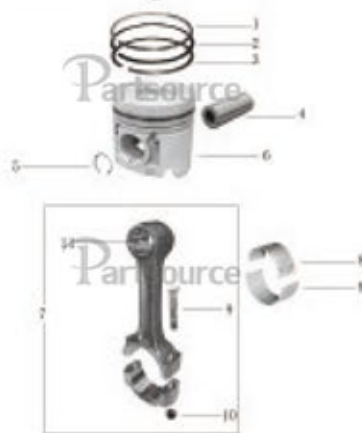
- |               |                        |              |                   |
|---------------|------------------------|--------------|-------------------|
| 1 曲轴减震皮带轮     | crankshaft belt pulley | 10 飞轮组件      | flywheel          |
| 2 曲轴皮带轮固定螺栓垫片 | washer                 | 11 飞轮定位销     | pin               |
| 3 曲轴皮带轮固定螺栓   | hex bolt               | 12 曲轴齿轮      | crankshaft gear   |
| 4 键           | key                    | 13 从动盘       | clutch disk       |
| 5 曲轴          | crankshaft             | 14 离合盖总成     | clutch housing    |
| 6 飞轮定位销       | pin                    | 15 螺栓平垫弹垫组合件 | spring washer     |
| 7 曲轴飞轮螺栓      | stud                   | 16 曲轴位置传感器   | crankshaft sensor |
| 8 飞轮固定垫片      | washer                 |              |                   |
| 9 曲轴后轴承       | bearing                |              |                   |

## 凸轮轴总成 camshaft



- |               |                        |
|---------------|------------------------|
| 1 凸轮轴止推片      | thrust plate ,camshaft |
| 2 凸轮轴         | camshaft               |
| 3 平键          | flat key               |
| 4 止推片固定螺栓组件   | hex bolt               |
| 5 挺柱          | columniation           |
| 6 推杆          | pull rod               |
| 7 凸轮轴相位传感器信号盘 | washer                 |
| 8 凸轮平垫圈       | washer                 |
| 9 凸轮轴齿轮紧固螺栓   | bolt                   |
| 10 凸轮轴齿轮      | camshaft bear          |

## 活塞连杆总成 piston and connecting rod



- |         |                        |
|---------|------------------------|
| 1 第一道气环 | ring                   |
| 2 第二道气环 | ring                   |
| 3 油环    | oil ring               |
| 4 活塞销   | piston pin             |
| 5 锁丝挡圈  | ring                   |
| 6 活塞    | piston                 |
| 7 连杆总成  | connecting rod         |
| 8 连杆轴瓦  | connecting rod bearing |
| 9 连杆螺栓  | bolt                   |
| 10 连杆螺母 | nut                    |
| 11 连杆衬套 | bush                   |



# JAC Engine 4DA1

## 正时齿轮室总成 time gear



- |       |             |                   |
|-------|-------------|-------------------|
| 1     | 喷油泵齿轮       | fuel pump gear    |
| 2     | 惰轮c压块       | washer            |
| 3     | 惰轮c与衬套总成    | idle gear         |
| 4     | 惰轮B压块       | washer            |
| 5     | 惰轮B与衬套总成    | idle gear         |
| 6     | 惰轮A压块       | washer            |
| 7     | 惰轮A与衬套总成    | idle gear         |
| 8     | 曲轴齿轮        | crankshaft gear   |
| 9     | 凸轮轴齿轮       | camshaft gear     |
| 10    | 惰轮衬板        | idle gear bushing |
| 11    | 六角头螺栓和平垫组合件 | bolt              |
| 12    | 六角法兰面螺栓     | bolt              |
| 13    | 内六角螺栓       | bolt              |
| 14    | 喷油泵紧圈大螺母    | nut               |
| 15-17 | 惰轮c轴        | idle gear         |
| 18    | 惰轮定位销       | pin               |

## 进排气歧管 intake and exhaust manifold



- |       |              |  |
|-------|--------------|--|
| 1     | 螺栓螺母组合件      | bolt   |
| 2     | 排气歧管         | exhaust manifold pipe                        |
| 3     | 六角螺母         | hexagon bolt                                 |
| 4-5   | 弹簧垫圈         | spring washer                                |
| 6     | 进气歧管固定螺母平垫   | washer                                       |
| 7     | 进气歧管         | air intake manifold pipe                     |
| 8     | 法兰螺栓         | bolt   |
| 9     | 进气接管垫片       | washer                                       |
| 10    | 进气管管双头螺栓     | bolt   |
| 11    | 六角螺母         | hexagon bolt                                 |
| 12    | 平垫圈          | washer                                       |
| 13    | 弹簧垫圈         | spring washer                                |
| 14    | 螺栓螺母平垫组合件    | bolt   |
| 15    | 增压器连接紧固螺母    | nut  |
| 16    | 增压器连接双头螺栓    | bolt   |
| 17    | 增压器连接密封垫     | washer                                       |
| 18    | 增压器总成        | charger                                      |
| 19    | 排气管隔热罩       | heat insulation cover, exhaust manifold pipe |
| 20    | 螺栓           | bolt   |
| 21    | 平垫圈          | washer                                       |
| 22    | 增压器出气管       | air outlet pipe                              |
| 23-24 | 增压器出气管连接密封垫  | washer                                       |
| 25    | 增压器出气管固定螺栓组件 | hex bolt                                     |
| 26    | 螺栓平垫组合件      | bolt   |
| 27    | 增压器出气管双头螺栓   | bolt   |
| 28    | 出气管出口垫片      | washer                                       |
| 29    | 排气歧管双头螺栓II   | bolt   |
| 30    | 进气压力温度传感器    | sensor                                       |
| 31    | 线束固定支架II     | bracket                                      |

# JAC Engine 4DA1



## 发电机 generator



- |    |             |                 |
|----|-------------|-----------------|
| 1  | 交流发电机总成     | generator       |
| 2  | 发电机调节支架     | bracket         |
| 3  | 发电机调节支架调节螺栓 | bolt            |
| 4  | 螺栓弹簧垫圈组合件   | bolt            |
| 5  | 真空泵进油管      | oil pipe        |
| 6  | 真空泵回油管总成    | oil return pipe |
| 7  | 发电机固定螺栓     | hex bolt        |
| 8  | 发电机固定螺母     | nut             |
| 9  | 发电机固定螺母垫圈   | washer          |
| 10 | 弹簧          | spring washer   |
| 11 | 起动机总成       | starter         |
| 12 | 真空泵进油管连接螺栓  | bolt            |
| 13 | 真空泵进油管密封垫片  | copper washer   |
| 14 | 真空泵进油管固定螺栓  | hex bolt        |
| 15 | 真空泵进油管固定螺母  | hex bolt        |
| 16 | 真空泵进油管密封垫片  | copper washer   |

## 油底壳总成 oil pan



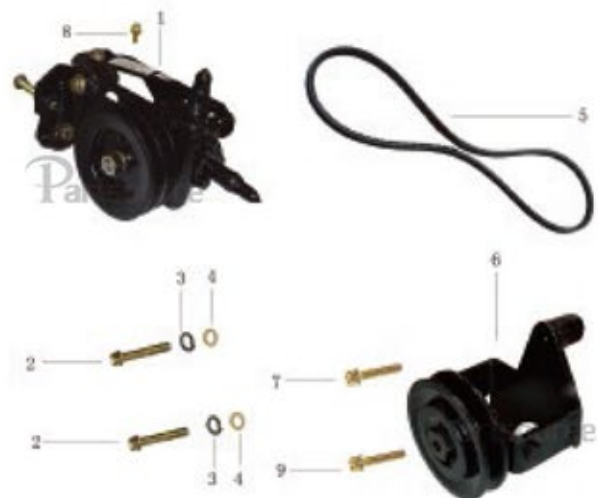
- |   |            |               |
|---|------------|---------------|
| 1 | 油底壳双头螺栓    | bolt          |
| 2 | 油底壳紧固螺栓    | bolt          |
| 3 | 油底壳紧固螺母    | nut           |
| 4 | 油底壳密封油螺塞总成 | plug          |
| 5 | 隔音罩总成      | shell         |
| 6 | 油底壳垫片      | washer        |
| 7 | 节温器固定螺栓    | bolt          |
| 8 | 放油螺塞       | plug          |
| 9 | 铜垫圈        | copper washer |

## 润滑系统 lubricant system



- |    |             |                 |
|----|-------------|-----------------|
| 1  | 螺栓弹簧垫圈组合件   | bolt            |
| 2  | 机油泵出油管      | oil tube        |
| 3  | 机油滤清器与油冷器总成 | oil filter      |
| 4  | 机油滤清器密封圈    | seal ring       |
| 5  | 螺栓弹簧垫圈组合件   | bolt            |
| 6  | 铜垫圈         | copper washer   |
| 7  | 穿孔螺栓        | bolt            |
| 8  | 增压器回油管总成    | oil return pipe |
| 9  | 增压器回油管      | oil return pipe |
| 10 | 增压器进油管总成    | oil inlet pipe  |
| 11 | 机油泵出油管O型圈   | O type ring     |
| 12 | 机油泵与集滤器总成   | oil pump        |
| 13 | 穿孔螺栓        | bolt            |
| 14 | 铜垫圈         | copper washer   |
| 15 | 橡胶软管夹       | clip            |
| 16 | 增压器回油管垫片    | washer          |
| 17 | 滤芯总成        | element         |
| 18 | 机油冷却器总成     | oil cooler      |

## 动力转向泵 water pump

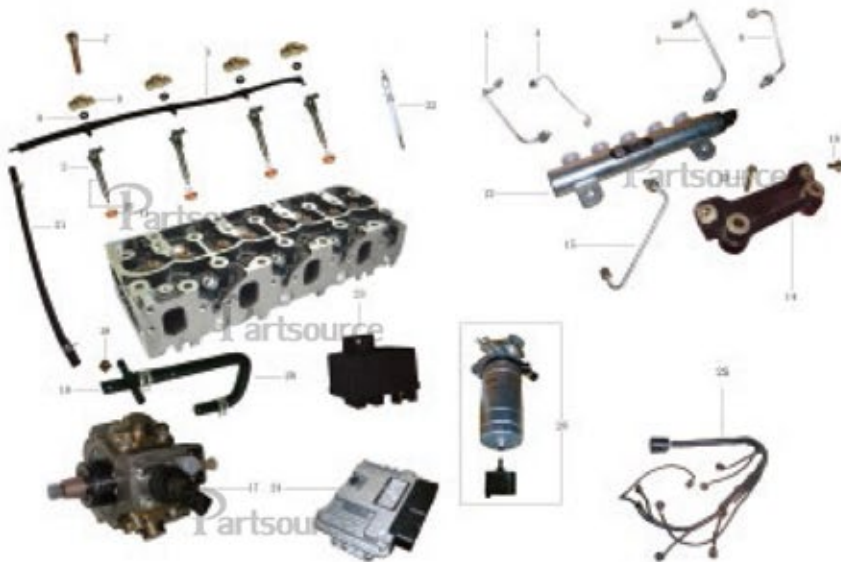


- |   |            |               |
|---|------------|---------------|
| 1 | 动力转向泵总成    | water pump    |
| 2 | 动力转向泵紧固螺栓  | bolt          |
| 3 | 弹簧垫圈       | spring washer |
| 4 | 平垫圈        | washer        |
| 5 | 动力转向泵皮带    | belt          |
| 6 | 压缩机皮带张紧轮总成 | pulley        |
| 7 | 缸盖连接螺栓组件   | bolt          |
| 8 | 弹簧垫圈组合件    | washer        |
| 9 | 螺栓弹簧垫圈组合件  | bolt          |

# JAC Engine 4DA1

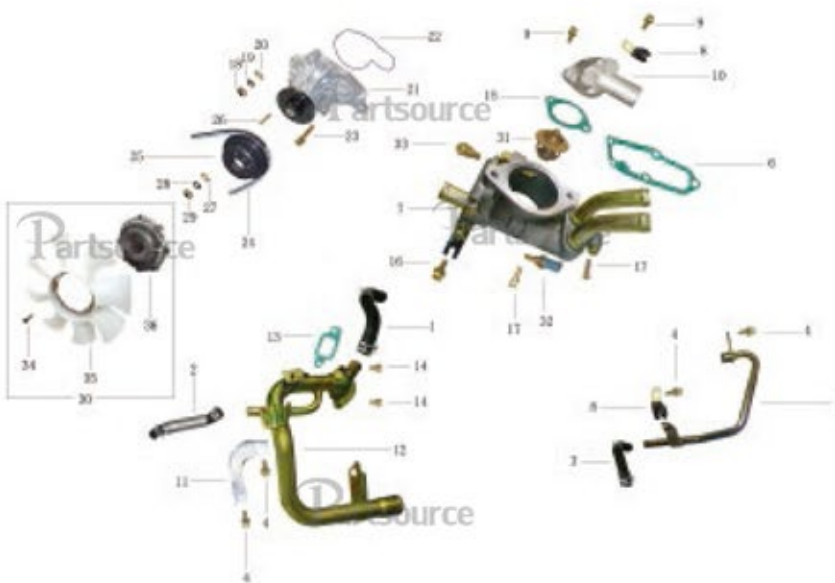


## 燃油供给系统 fuel system



- |       |              |                 |
|-------|--------------|-----------------|
| 1     | 第一缸高压油管总成    | injection pipe  |
| 2     | 节流器总成        | throttle assy   |
| 3     | 喷油嘴回油管总成     | oil return pipe |
| 4     | 第二缸高压油管总成    | throttle assy   |
| 5     | 第三缸高压油管总成    | throttle assy   |
| 6     | 第四缸高压油管总成    | throttle assy   |
| 7     | 喷油嘴压块螺栓      | bolt            |
| 8     | 喷油嘴压块垫圈      | washer          |
| 9     | 喷油嘴固定压块      |                 |
| 10    | 喷油嘴密封圈       | seal ring       |
| 11    | 喷油嘴铜片        | copper washer   |
| 12    | 燃油导轨和轨压传感器总成 | sensor          |
| 13    | 六角法兰面螺栓      | bolt            |
| 14    | 燃油导轨支架       | bracket         |
| 15    | 泵轴高压油管总成     | throttle assy   |
| 16    | 支架紧固螺栓       | bolt            |
| 17    | CR喷油泵总成      | fuel pump       |
| 18    | 油门拉线支架螺栓     | bolt            |
| 19    | 回油管三通阀       | valve           |
| 20-21 | 喷油泵回油管总成     | oil return pipe |
| 22    | 预热塞          | glow plug       |
| 23    | GCU部件        | GCU             |
| 24    | ECU部件        | ECU             |
| 25    | 控制线束部件       | cable           |
| 26    | 燃油滤清器部件      | fuel filter     |

## 冷却系统 cooling system

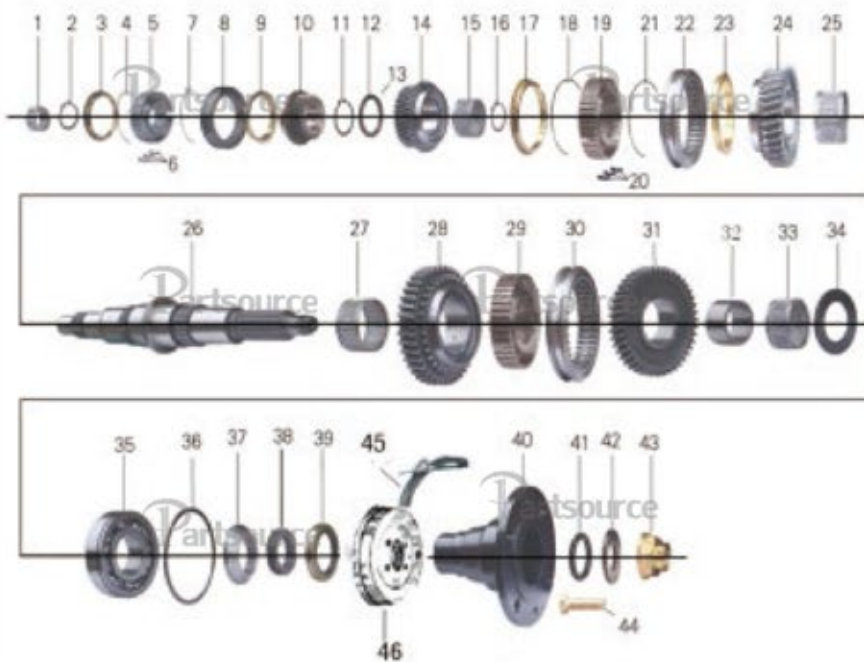


- |       |            |                    |
|-------|------------|--------------------|
| 1     | 旁通橡胶管      | pipe               |
| 2     | 机冷器出水软管组件  | water outlet pipe  |
| 3     | 机冷器进水软管组件  | water inlet pipe   |
| 4     | 螺栓弹垫组合件    | bolt               |
| 5     | 机冷器进水管总成   | water inlet pipe   |
| 6     | 节温器壳体垫片    | washer             |
| 7     | 节温器阀座总成    | thermostat seat    |
| 9     | 螺栓弹垫平垫组合件  | bolt               |
| 10    | 出水口        | water outlet       |
| 11    | 隔热装置       | heat insulation    |
| 12    | 水泵进水管焊合件   | water inlet pipe   |
| 13    | 进水管垫片      | washer             |
| 14    | 螺栓弹垫平垫组合件  | bolt               |
| 15    | 出水口垫片      | washer             |
| 16    | 螺栓弹垫平垫组合件  | bolt               |
| 17    | 内六角螺钉      | screw              |
| 18    | 六角螺母       | nut                |
| 19    | 弹簧垫圈       | spring washer      |
| 20    | 平垫圈        | washer             |
| 21    | 水泵总成       | water pipe         |
| 22    | 水泵密封圈      | seal ring          |
| 23    | 螺栓弹垫平垫组合件  | bolt               |
| 24    | 风扇皮带       | fan belt           |
| 25    | 冷却风扇皮带轮    | fan pulley         |
| 26    | 风扇固定双头螺栓   | bolt               |
| 27    | 风扇固定螺母平垫   | washer             |
| 28    | 弹簧垫圈       | spring washer      |
| 29    | 六角螺母       | hexagon bolt       |
| 30    | 带硅油离合器风扇总成 | fan                |
| 31    | 节温器        | thermostat         |
| 32-33 | 水温传感器II    | temperature sensor |
| 34    | 十字槽盖头螺钉和平垫 | screw              |
| 35    | 风扇总成       | fan                |
| 36    | 硅油离合器      | clutch             |



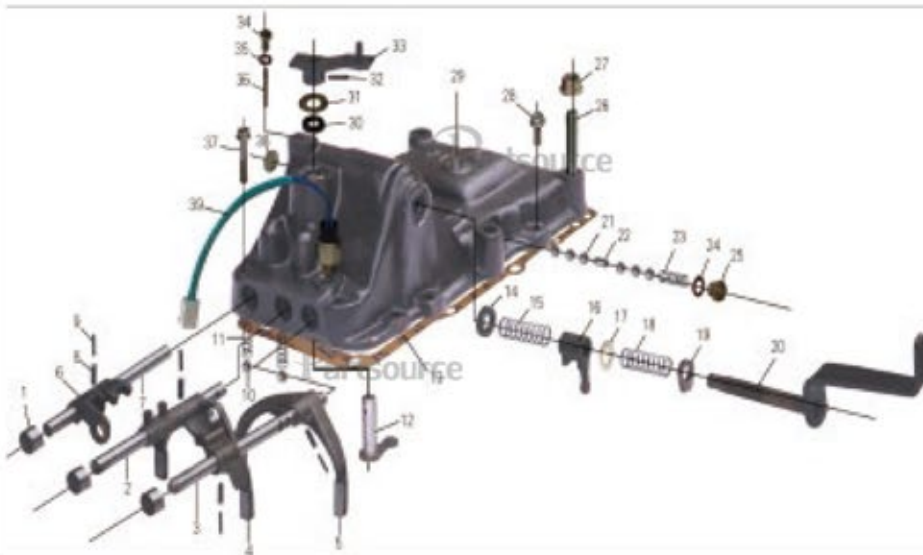
# JAC Gearbox

## 变速器总成-变速器第二轴及其附件



- |         |            |                            |
|---------|------------|----------------------------|
| 1       | 滚针轴承       | needle bearing             |
| 2,11,16 | 卡环         | ring                       |
| 3,9     | 4/5 档同步器齿环 | synchronize ring           |
| 4       | 4/5 档同步器弹簧 | synchronize spring         |
| 5       | 4/5 档同步器齿毂 | synchronize hub            |
| 6       | 同步器滑块      | synchronize slider         |
| 7       | 4/5 档同步器弹簧 | synchronize spring         |
| 8       | 4/5 同步器齿套  | synchronize sleeve         |
| 10      | 二档五档齿轮总成   | 5th gear,output shaft      |
| 12      | 二档三档止推轴圈   | washer                     |
| 13      | 钢球         | steel ball                 |
| 14      | 二档三档齿轮总成   | third gear, output shaft   |
| 15,25   | 滚针轴承       | needle bearing             |
| 27,33   | 卡环         | ring                       |
| 17      | 2/3 档同步器齿环 | synchronize ring           |
| 18      | 2/3 档同步器弹簧 | synchronize spring         |
| 19      | 2/3 档同步器齿毂 | synchronize hub            |
| 20      | 同步器滑块      | synchronize spring         |
| 21      | 2/3 档同步器弹簧 | synchronize spring         |
| 22      | 2/3 档同步器齿套 | synchronize sleeve         |
| 23      | 2/3 档同步器齿环 | synchronize ring           |
| 24      | 二档二档齿轮总成   | gear 2,output shaft        |
| 26      | 输出轴        | output shaft               |
| 28      | 二档一档齿轮总成   | first gear, output shaft   |
| 29      | 1/R 档同步器齿毂 | synchronize hub            |
| 30      | 1/R 档同步器齿套 | synchronize hub            |
| 31      | 二档倒档齿轮总成   | reverse gear, output shaft |
| 32      | 二档倒档轴衬套    | bush                       |
| 34      | 倒档轴止推轴圈    | washer                     |
| 35      | 单向向心球轴承    | bearing                    |
| 36      | 轴止动环       | snapping                   |
| 37      | 里程表齿轮离合器   | separating sleeve          |
| 38      | 里程表主动齿轮    | driving gear, odometer     |
| 39      | 二档轴油封      | oil seal                   |
| 40      | 二档法兰盘      | flange                     |
| 41      | O 型密封圈     | O type ring                |
| 42      | 碟形轴套       | washer                     |
| 43      | 二档轴螺母      | nut                        |
| 44      | 传动轴螺栓      | bolt                       |
| 46      | 手制动器       | brake                      |

## 变速器总成-变速箱上盖及换档机构

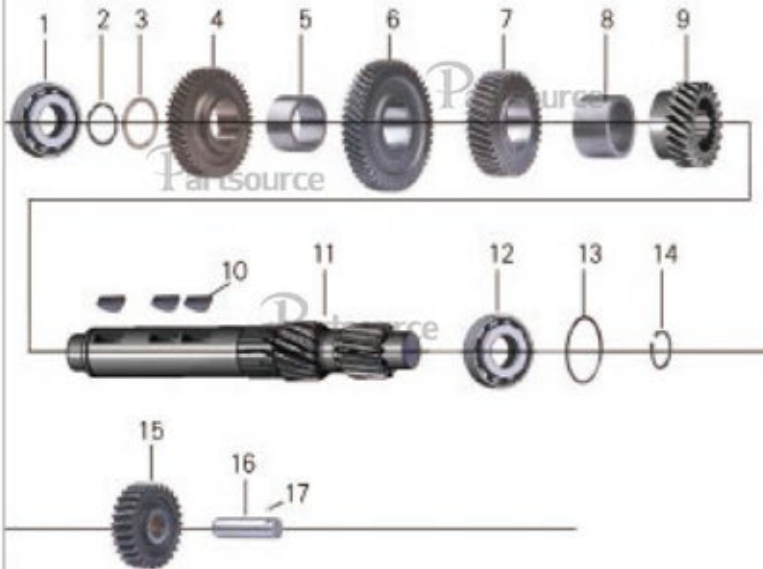


- |       |               |                           |
|-------|---------------|---------------------------|
| 1     | 拨叉轴衬套         | gear shift fork shaft cap |
| 2     | 2/3 档拨叉轴      | gear shift fork shaft 2/3 |
| 3     | 1/R 档拨叉轴      | gear shift fork shaft/R 1 |
| 4     | 2/3 档拨叉轴      | gear shift fork 2/3       |
| 5     | 1/R 档拨叉轴      | gear shift fork 1/R       |
| 6     | 1/R 档拨叉轴片     | gear shift fork piece 1/R |
| 7     | 4/5 档拨叉轴      | gear shift fork piece 4/5 |
| 8,9   | 弹性圆柱销         | pin                       |
| 10,21 | 钢球            | steel ball                |
| 11,23 | 锁球弹簧          | spring                    |
| 12    | 内选档臂          | selector arm              |
| 13    | 上盖衬垫          | gasket                    |
| 14    | 上盖轴封          | oil seal                  |
| 15    | 4/5 档轴力弹簧     | spring                    |
| 16    | 内选档臂          | gear shift arm            |
| 17    | 轴套 (自档限位弹簧)   | washer                    |
| 18    | 倒档限位弹簧        | spring                    |
| 19    | 倒档止动环         | snapping                  |
| 20    | 外选档臂零件        | gear shift arm            |
| 22    | 互锁销           | pin                       |
| 24    | 红纸纸垫 (钢球弹簧衬垫) | washer                    |
| 25    | 锁球螺母          | plug                      |
| 26    | 双头螺栓          | bolt                      |
| 27    | 螺母            | nut                       |
| 28,37 | 螺栓 (上盖)       | bolt                      |
| 29    | 变速箱盖          | top cover, gearbox        |
| 30    | 油封 (变速箱盖)     | oil seal                  |
| 31,35 | 平垫圈           | washer                    |
| 32    | 弹性圆柱销         | pin                       |
| 33    | 外选档臂          | selector arm              |
| 34    | 六角螺栓          | bolt                      |
| 36    | 弹性圆柱销         | pin                       |
| 38    | 塞片            | plug                      |
| 39    | 倒车灯开关总成       | back drive lamp switch    |



# JAC Gearbox

## 变速器总成-变速器中间轴及倒档轴



- |    |             |                                |
|----|-------------|--------------------------------|
| 1  | 中间轴前、后轴承    |                                |
| 2  | 卡环(中主齿)     | ring                           |
| 3  | 中间轴前隔套      | separating sleeve              |
| 4  | 中间轴主动齿轮     | drive gear, intermediate shaft |
| 5  | 五档、主动齿轮隔套   | separating sleeve              |
| 6  | 中间轴五档齿轮     | mid-5th speed gear             |
| 7  | 中间轴三档齿轮     | mid-3rd speed gear             |
| 8  | 中间轴二、三档齿轮隔套 | separating sleeve              |
| 9  | 中间轴二档齿轮     | middle 2nd speed gear          |
| 10 | 中间轴半开键      | woodruff key                   |
| 11 | 中间轴         | intermediate shaft             |
| 12 | 中间轴前、后轴承    | bearing                        |
| 13 | 止动环         | snapring                       |
| 14 | 挡圈(中间轴后轴承)  | circlip                        |
| 15 | 倒档齿轮总成      | reverse gear                   |
| 16 | 倒档轴         | reverse idle gear shaft        |
| 17 | 钢球(倒档轴)     | steel ball                     |

## 变速器总成-变速器壳体、第二轴轴承盖



- |       |                  |                        |
|-------|------------------|------------------------|
| 1     | 变速器壳体            | gearbox housing        |
| 2     | 侧盖衬垫             | gasket                 |
| 3     | 变速器侧盖            | side cover, gearbox    |
| 4     | 六角螺栓(侧盖)         |                        |
| 5,28  | 弹簧垫圈             | spring washer          |
| 6     | 螺栓(后盖)           | bolt                   |
| 7     | 变速器后盖            | rear cover, gearbox    |
| 8     | 后盖衬垫             | gasket                 |
| 9     | 通气塞总成 Z 1/8" -27 | vent valve             |
| 10    | 里程表被动齿轮          | driven gear, odometer  |
| 11    | "O"形密封圈          | O type ring            |
| 12    | 里程表轴套            |                        |
| 13    | 轴套油封(里程表轴套)      | oil seal               |
| 14    | 螺栓(里程表轴套)        | bolt                   |
| 15    | 六角头螺塞            | plug                   |
| 16    | 红缸纸垫             | washer                 |
| 17    | 六角头磁性螺塞          | plug                   |
| 18    | 红缸纸垫             | washer                 |
| 19    | 拨叉支承螺栓           | bolt                   |
| 20,26 | "O"形圈            | O type ring            |
| 21,25 | 弹性垫圈(变速器壳)       | spring washer          |
| 22    | 换挡拨叉(4/5档)       | gear shift fork 4/5    |
| 23,24 | 拨叉锁块             | inlay, gear shift fork |
| 27    | 拨叉支承螺栓           | bolt                   |

# ZYNP Cylinder Liner Set 中原内配





# ZNYP Cylinder Liner Set 中原内配



● 国内市场合作伙伴



● 国际市场合作伙伴



"ZYNP" Engine cylinder liner set : Overseas Agent



# Partsource<sup>®</sup> Products Limited

QUALITY CHINESE TRUCK SPARE PARTS



Address: B28, San Yuan Li Auto Fittings Foreign Trade Market,  
Baiyun District, Guangzhou, China  
广州市白云区三元里大道679、715号三元里汽配城外贸市场B28号

Mob & : 13002012820      Tel: 8620-36278708

Email: miles@partsource.cn / kinsion@partsource.cn

Http://www.partsource.cn      QQ: 541394147